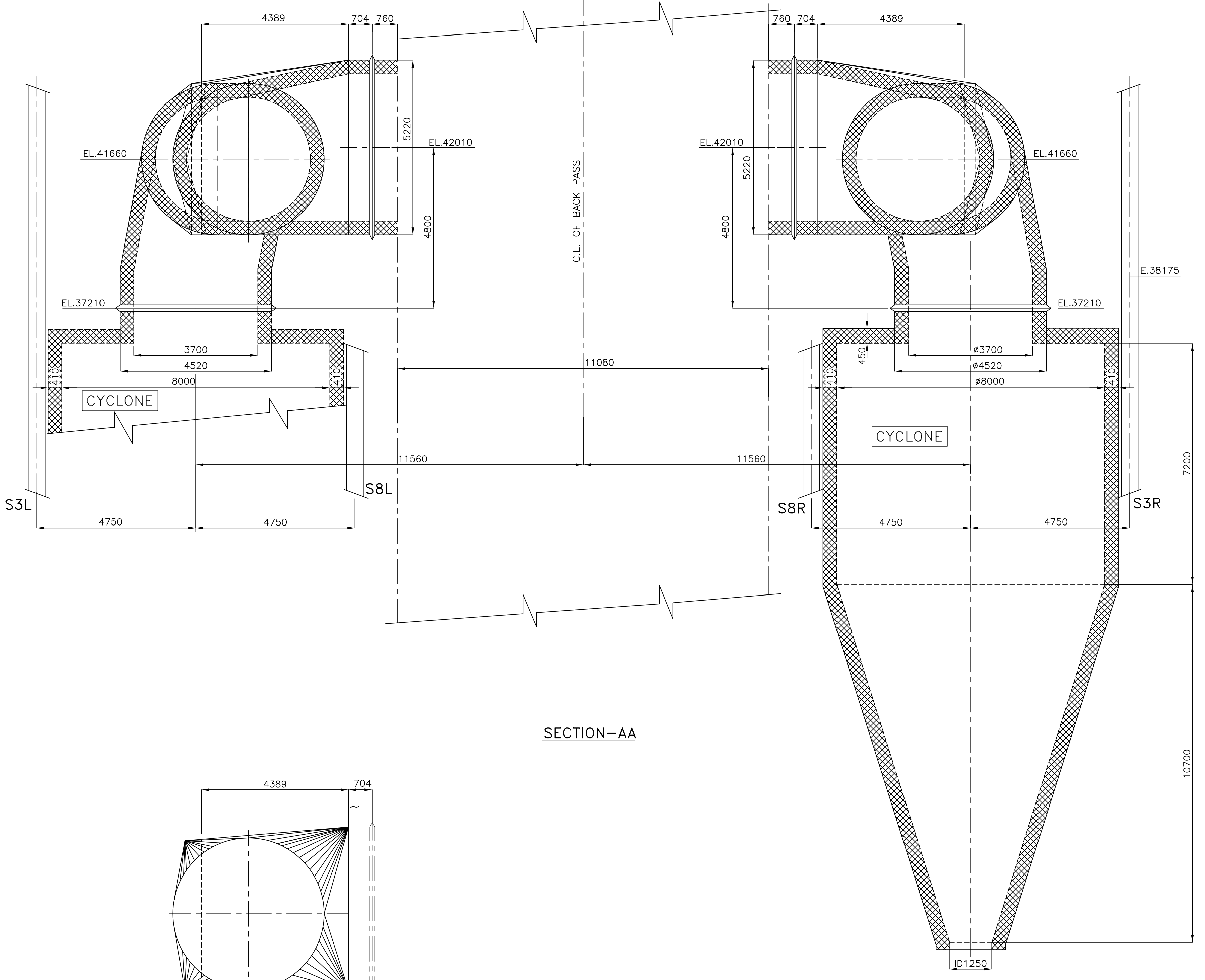
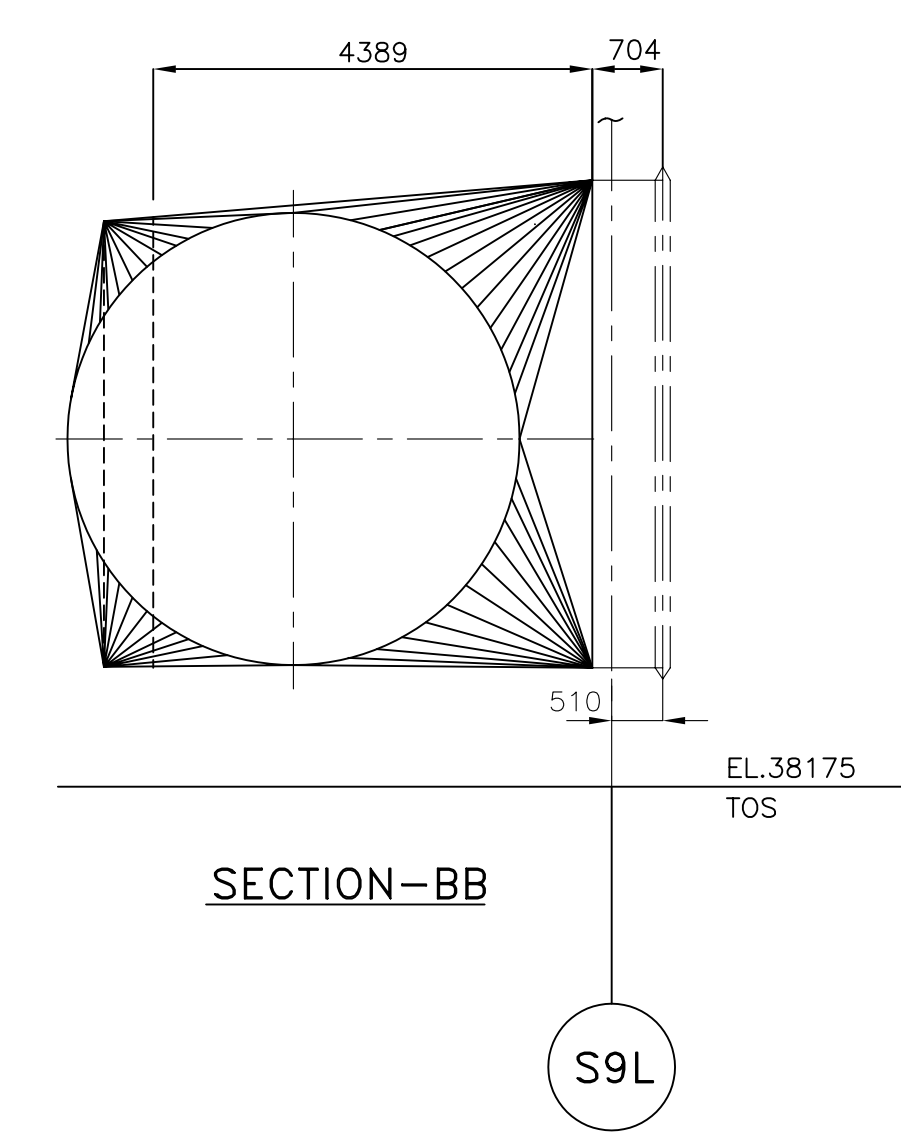


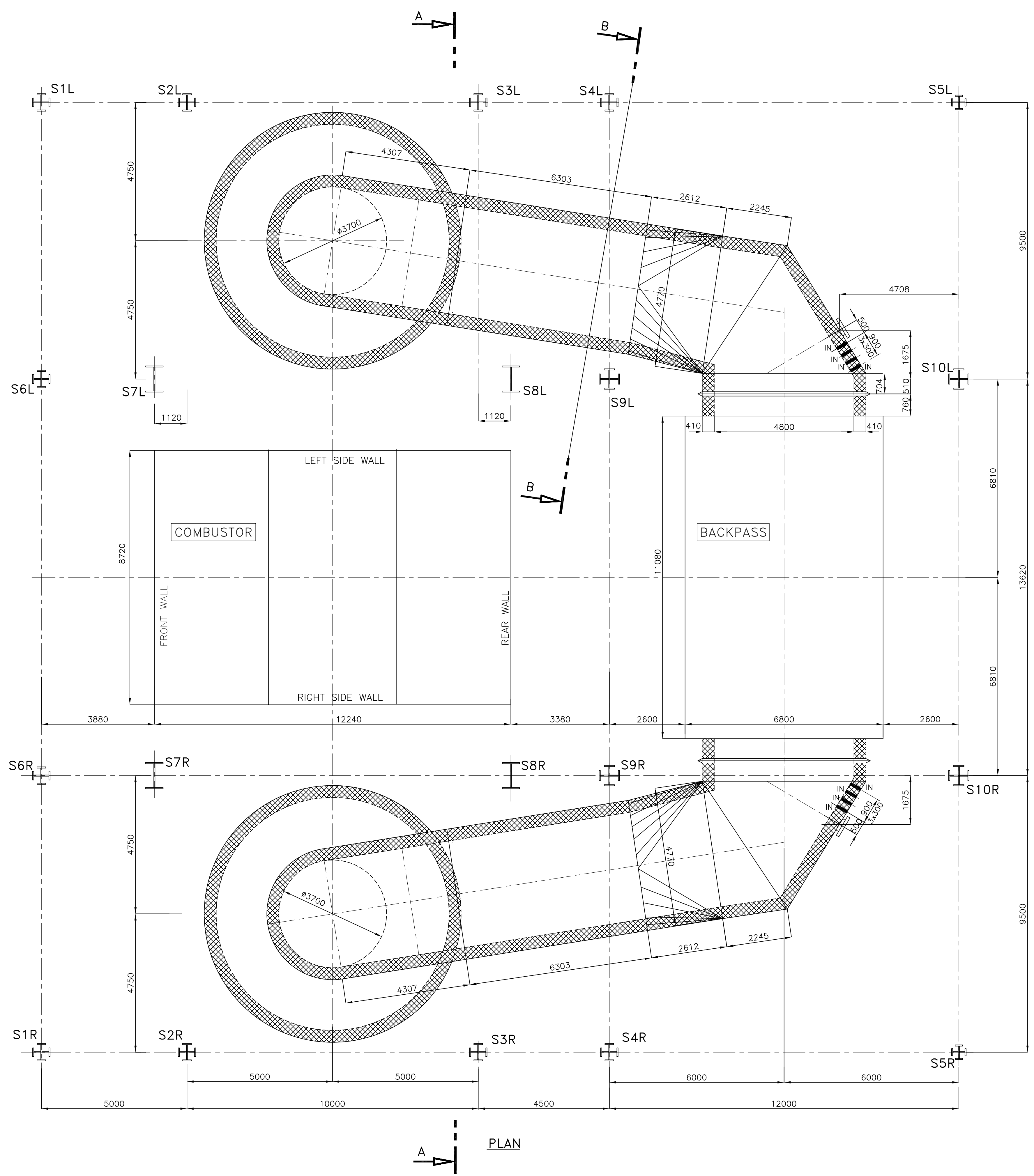
ELEVATION



SECTION-AA



SECTION-BB



PLAN

NOTES

• FOR NOTES, LEGEND & REFERENCE DRAWINGS REFER GENERAL ARRANGEMENT OF BOILER - ELEVATION DRAWING No. 0-00-511-92760

REV		DATE	ALTD	CUSTOMER	
CHD			APPD	GUJARAT INDUSTRIES POWER COMPANY LIMITED	
ZONE				CONSULTANT	
				TCE CONSULTING ENGINEERS LIMITED, BANGALORE	
				PROJECT	
				SURAT LIGNITE POWER PLANT - PHASE-II	
				2x125 MW CFBC BOILER - EXPANSION PROJECT (UNIT 3 & 4)	
				405 1/r; 131 Kg/Cm ² (g); 540°C/540°C	
				DRAWN	
				R.P. Nathan	
				CHECKED	
				V. Jothamani	
				APPROVED	
				M. Murugu	
				DATE	
				09.06.06	
				ALL DIMENSIONS ARE IN MILLIMETRES	
				SCALE 1:75	
				TITLE	
				LAYOUT OF FLUE GAS DUCTING	
				(CYCLONE TO BACKPASS)	
				DRG No.	
				0-00-515-92768	
				REV.	
				00	

CUSTOMER No. 5305 & 5306

GUJARAT INDUSTRIES POWER COMPANY LIMITED
 TCE CONSULTING ENGINEERS LIMITED, BANGALORE
 SURAT LIGNITE POWER PLANT - PHASE-II
 2x125 MW CFBC BOILER - EXPANSION PROJECT (UNIT 3 & 4)
 405 1/r; 131 Kg/Cm² (g); 540°C/540°C
 BHARAT HEAVY ELECTRICALS LTD.,
 BOILER PLANT UNIT, TIRUCHIRAPALLI-620 014.