

GUJARAT INDUSTRIES POWER COMPANY LIMITED
(Surat Lignite Power Plant)

AT & POST NANI NAROLI, TALUKA: MANGROL, DIST: SURAT, PIN 394110
(GUJARAT)

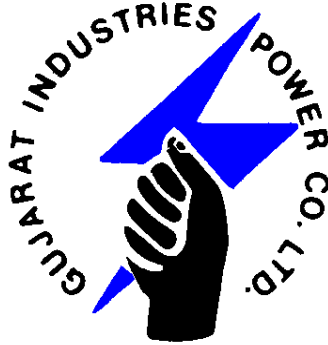
Phone Nos.: EPABX (02629) 261063 to 261072, fax Nos.: (02629) 261112, 261080

TENDER DOCUMENTS FOR;

"Surat Lignite Power Plant - 4X125 MW, Unit # I to IV:

"Tender for replacement of "1) Re-heater link bend pipe after DESH (De superheater) in Unit-1& 4 Boilers and 2) Ash cooler coil bundle in Unit-1 Boiler" during ensuing overhauling year-2022-23."

Bid No.: SLPP/BOILER/U#1 & 4/RH Bend & AC coil



INSTRUCTIONS TO BIDDERS & CONDITIONS OF CONTRACT

TENDER NOTICE (NIT)

TENDER NO. : SLPP/BOILER/U#1 & 4/RH Bend & AC coil/

Tender for replacement of “1) Re-heater link bend pipe after DESH (De superheater) in Unit-1 & 4 Boilers and 2) Ash cooler coil bundle in Unit-1 Boiler” during ensuing overhauling year-2022-23.

Place of work	Surat Lignite Power Plant, Village: Nani Naroli, Taluka: Mangrol, Dist.: Surat (Gujarat).
Quantity	The successful lowest bidder will be awarded this contract, involving total quantities of various items.
Period of Contract	Twelve Months from the date of issue of work order.
EMD	Rs. 15,000/-(Rupees Fifteen Thousand Only) by Demand Draft payable at Mosali (Surat) or Motamiya-Mangrol or Nani Naroli or Surat. In case of Bank Guarantee, the BG shall be in favour of GIPCL from approved Banks mentioned in this tender.
Tender fee	2950.00 favour to GIPCL SBI, Nani Naroli only. Alternatively, The EMD & Tender Fee may also be submitted through RTGS/online
Availability of online Tender document	On website: (i) https://www.gipcl.com & (ii) https://www.nprocure.com ; https://gipcl.nprocure.com
Downloading of online tender document from websites	24.01.2022 onwards
Last date of online submission of offer	24.02.2022 up to 17:30 hrs. on website- https://www.nprocure.com or https://gipcl.nprocure.com
Submission of EMD, Tender fee and other supporting documents for prequalification bid in physical form	On or before 14.02.2022 up to 17:30 hrs during office hours at office of Surat Lignite Power Plant, Nani Naroli, Dist. Surat.
E-Reverse Auction	Will be informed by GIPCL to all qualified Bidders.

NOTES:

1. Amendment / corrigendum of the tender document, the forms, schedules etc. may be done any time by the GIPCL during the period of publication of tender in the website. The bidders are required to visit the website regularly till the last date of bid submission.

2. GIPCL reserves the right to reject any or all the tenders or split the work among the bidders without assigning any reason thereof.
3. The bidders are required to quote the rate strictly as per the terms and conditions mentioned in the tender document. The conditional tender will not be entertained and shall be liable for outright rejection.
4. The bidders are required to submit their bids online through the website <https://gipcl.nprocure.com>
5. The EMD, Tender fee & other documents to be submitted in physical form as mentioned above would be deposited at the following address:-

Shri N. K. Singh
General Manager - SLPP
GUJARAT INDUSTRIES POWER COMPANY LTD.
(Surat Lignite Power Plant)
At & Post: Nani Naroli,
Ta.: Mangrol, Dist.: Surat,
Pin – 394 110 (Gujarat)
Phone: EPABX (02629) 261063 to 261072
Fax No.: 02629-261080



SURAT LIGNITE POWER PLANT: Tender for replacement of “1) Re-heater link bend pipe after DESH (De superheater) in Unit-1& 4 Boilers and 2) Ash cooler coil bundle in Unit-1 Boiler” during ensuing overhauling year-2022-23.

SECTION-A INSTRUCTIONS TO BIDDERS

1. PLANT SYNOPSIS

Gujarat Industries Power Company Limited (GIPCL) (henceforth be named Company/GIPCL), is a Premier Power Utility in the State of Gujarat with an installed capacity of 1184.4 MW comprising of various conventional and renewable projects.

GIPCL commissioned its first power project ; a 145 MW gas based combined cycle power plant in 1992 at Vadodara. It expanded its capacity 165 MW Naptha and gas based Combined Cycle Power Plant at Vadodara in 1997. GIPCL has commissioned 1MWp Distributed Solar Power Projects at two locations in Gujarat viz. at Village: Amrol, Dist.: Anand and at Village: Vastan, Taluka Mangrol, Dist.: Surat.

Surat Lignite Power Plant (SLPP) with four units of 125 MW capacity each is located at Village: Nani Naroli, Taluka: Mangrol, District: Surat in Gujarat. GIPCL has also operating its own captive Lignite and Lime Stone Mines close to the Power Plant. The Power Plant is based on Circulating Fluidized Bed Combustion (CFBC) technology for the Boilers, where Lignite is burnt along with Lime Stone in the Combustor of the Boiler.

It commissioned 5 MW solar power station at SLPP in 2012. Also, GIPCL has commissioned 1MWp Distributed Solar Power Projects at two locations in Gujarat viz. at Village: Amrol, Dist.: Anand and at Village: Vastan, Taluka Mangrol, Dist.: Surat.

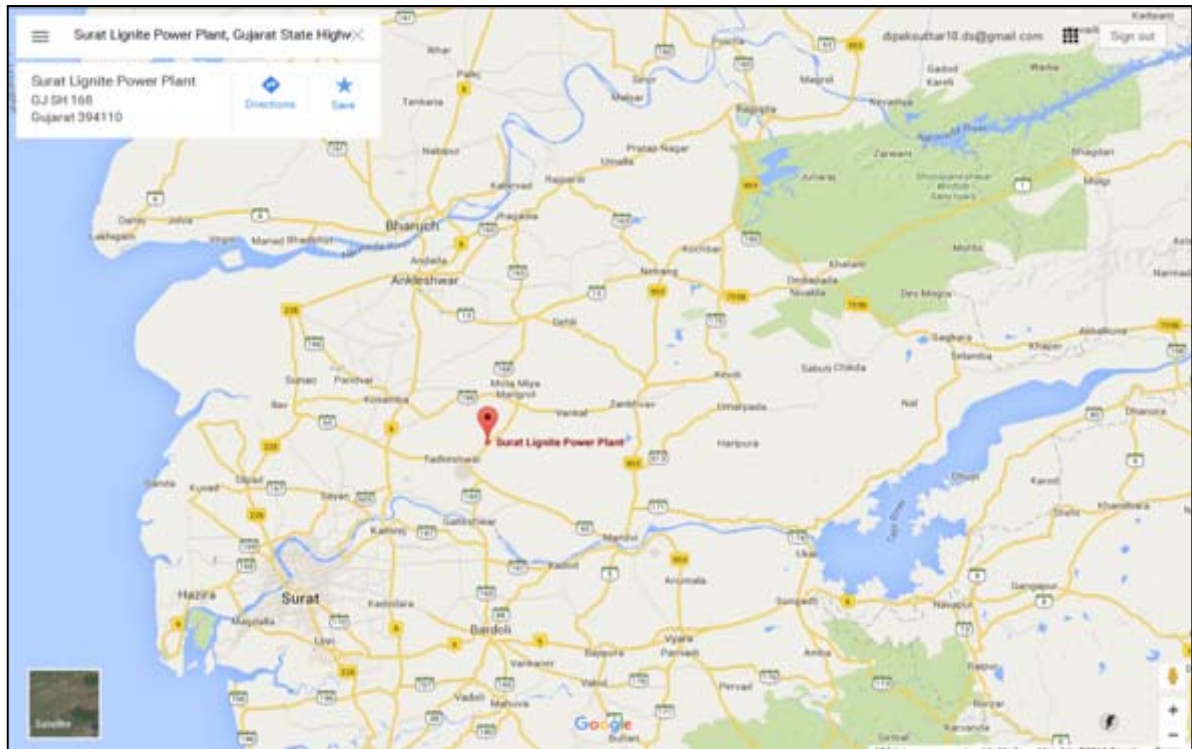
GIPCL has successfully commissioned a 2 x 40 MW Solar Project in 2017 as well as a 75 MW Solar Power Project in 2019 at Gujarat Solar Park, Village Charanka, Dist.: Patan. GIPCL has also successfully commissioned 112.4 MW wind farms at different location of Gujarat. The Company has commissioned the 100 MW Solar Project at the Raghnesda Solar Park, Banaskantha, Gujarat on 10.08.2021.

The Company has also been allotted land for development of a 2375 MW Renewable Energy Park at Khavda in the Kutch district of Gujarat.

Surat Lignite Power Plant (SLPP) is accessible by road from Kim and Kosamba, which are on Mumbai-Ahmadabad highway. From Kosamba, SLPP is around 32 KM, out of which 27 KM is part of the National & State Highway and balance 5 KM is District Road. From Kim, SLPP is around 18 KM, out of which 13 KM is the State Highway and balance 5 KM is District Road. The nearest Broad Gauge Railway Line is at Kim, which is around 21 KM from the SLPP. Surat is approximately 50 KM from the SLPP. Location Map for SLPP is as under.



SURAT LIGNITE POWER PLANT: Tender for replacement of “1) Re-heater link bend pipe after DESH (De superheater) in Unit-1& 4 Boilers and 2) Ash cooler coil bundle in Unit-1 Boiler” during ensuing overhauling year-2022-23.



The Company intends to award Contract for replacement of “1) Re-heater link bend pipe after DESH (De superheater) in Unit-1 & 4 Boilers and 2) Ash cooler coil bundle in Unit-1 Boiler” during ensuing overhauling year-2022-23 and is therefore inviting open e-tenders online through (n)Procure system from experienced & resourceful contractors.

2. SCOPE OF WORK

I) 1) Re-heater link bend pipe after DESH (De superheater) in Unit-1 & 4 Boilers:

Pipe Size: OD609.6 X 30 mm Thickness; Length of Pipe: 4754 mm,
MOC: SA 335 P22;

Located at Elevation: 20 meter

Total Qty: 02 Nos. (01 Nos each in Unit-1& 4 Boiler)

Drawing No: 0-17-852-80010 Rev.03 (Unit-4 Boiler)

Drawing No: 0-17-852-80002 Rev.03 (Unit- 1 Boiler)

(Links for RH1outlet HDR to RH2 inlet HDR)

Details scope of work is as mentioned below:

i. Mobilization to Site:

Mobilization of required skilled and specialized manpower with tools & tackles to site to take care of shutdown activities and post shutdown activities. If required, party to mobilize suitable capacity winch/ crane for dismantling and erection of pipe bend to speed up the work. Party mobilize sufficient quantity of tools & tackles such as chain pulley blocks, Winch machine, wire rope, scaffolding material, welding and cutting machines, Pre and post heat treatment machine & recorder and other tools & tackles, NDT agency for completing the work.



SURAT LIGNITE POWER PLANT: Tender for replacement of “1) Re-heater link bend pipe after DESH (De superheater) in Unit-1& 4 Boilers and 2) Ash cooler coil bundle in Unit-1 Boiler” during ensuing overhauling year-2022-23.

Note: Two Separate mobilizations shall be considered for Unit-1 Boiler and Unit-4 Boiler for respective works.

ii. Major activity involve for replacement of Re-heater bend pipe:

- 1) Removal of existing temporary arrangement.
- 2) Scaffolding material and erection.
- 3) Insulation removal and application.
- 4) Re-heater link pipe hanger locking arrangements and erection of 01Nos. new Hanger (CLH) in RH link pipe in Unit-4 Boiler.
- 5) Link Pipe locking before cutting of Bend pipe.
- 5) Shifting of material from ware house.
- 6) Inside Cleaning of pipe/Bend pipe with Wire brush and buffing machine.
- 7) Cutting of damaged bend pipe.
- 8) Spool piece cutting and edge preparation(“J” or “VV” groove) as per site requirement (Bend pipe is ready available and to maintain spool piece length, spool piece shall be cut from the extra/spare pipe and same shall be weld with bend pipe on one side OR both side as per site requirement) and welding of joints.
- 9) Assembly of bend pipe and spool pieces, erection and alignment. (Edge Preparation: 04nos. end surface and Weld Joints: 03 joints including spool piece or as per site requirement to complete the Job)
- 10) Replacement of Assembly (sr no.8). (Marked in drawing in RED BOX)
- 11) Hangers lug Plates (Size: PL. 25X 370X 500, MOC: SA 387GR.22 CL.2) Qty:02 Nos. Cutting, removal, Edge preparation, Edge DP test and Re-welding .with new pipe with Pre and post weld heat treatment & NDT as per IBR.
- 12) Pre heating and Post weld heat treatment of weld joints of pipe & Lug plate:

Pre heat and post weld heat treatment to be carried out on each weld joints and Lug plate.

Heat treatment cycle to be maintained as per IBR and record of the same to be submitted to Dy. Director of Boilers and obtain approval for the same.

Reputed party is to be called for heat treatment with proper tools and instruments. No disturbance is allowed during the heating cycle. All the expenses for heat treatment are to be borne by the contractor.

- 13) DP test of Edge after cutting the bend pipe, NDT (100% RT, UT, MPI & Hardness inspection) of weld joints of pipe and Lug plates. Reputed party is to be called for NDT of Weld Joints and records of the same to be submitted to IBR and approval of the same to be obtained from Dy. Director of Boilers and obtain approval for the same & copy of approval to GIPCL. If any defect found in the above inspection and it is to be rectified with proper procedure. All the expense for the testing is in the scope of Bidders.
- 14) IBR permission.
- 15) Normalizing of system: Hanger loading, temp structure removal, Insulation etc.
- 16) Scrap removal.
- 17) All required tools & Tackles and consumable to complete the work



SURAT LIGNITE POWER PLANT: Tender for replacement of “1) Re-heater link bend pipe after DESH (De superheater) in Unit-1& 4 Boilers and 2) Ash cooler coil bundle in Unit-1 Boiler” during ensuing overhauling year-2022-23.

- 18) Other statutory permission to complete the work
- 19) Party take care all the other activities to be performed for completing this work.
- 20) Getting permission from office of Director of Boilers as boiler pressure parts work and other statutory requirements to be fulfilled for completing the work shall be in contractor scope.

iii. Welding and weld Testing:

Welding to be done with IBR qualified welder. Welder testing to be done by third party and certificate to be submitted.

- Welder testing to be done at the site as per relevant standard. Spool piece to be tested by third party. IBR qualification welder certificate to be submitted before welding.
- Third party expenses to be borne by contractor.

iv. Removal and Re-application of Insulation:

- i. Remove the insulation sheet cladding & mineral wool.
- ii. After completion of works, re-apply the insulation, Weld the holding rod along with washers and apply aluminum strips for holding of insulation. Fit the insulation sheet cladding & fix the screws on it. New insulation must be air tight.

General Note:

- i. Welding of HP joints of RH Bend pipe. Root run by TIG welding subsequently manual ARC welding process using suitable IBR approved electrode of suitable AWS code of manufacture. The welding electrode should be from reputed manufacturer like D & H, ADOR Fontech, Advani, ESAB etc.
- ii. IBR approved HP welders are to be engaged by party to RH Bend pipe and Lug plate welding work.
- iii. Any defect found in HP weld joints during NDT, defective HP weld joints should be repaired /rectification and retested at his own cost. No extra payment will be made for rewelding of defective joints repairing.
- iv. Shifting of materials from Main store to site.
- v. Contractor shall have to take work permit from C.I.B. (Boiler Inspector) before starting the work. And also he shall have to submit; all required documents of work completion & finalized the visit/inspection with C.I.B.

II) Replacement of Ash cooler coil bundle in Unit-1 Boiler; Qty: 01 Nos. assembly

Ash cooler assembly: Pipe Size: D 44.5 X 4.5, MOC: SA 210 Gr. A1

Ash cooler Locate at Ground Floor.

Assembly: 01 Nos.

No. of tube bundle in one assembly: 20 Nos.

Drawing No: 0-00-280-55816 rev-1/1-19-121-80506 rev-3



SURAT LIGNITE POWER PLANT: Tender for replacement of “1) Re-heater link bend pipe after DESH (De superheater) in Unit-1& 4 Boilers and 2) Ash cooler coil bundle in Unit-1 Boiler” during ensuing overhauling year-2022-23.

i. **Mobilization to Site:**

Mobilization of required skilled and specialized manpower with tools & tackles to site to take care of shutdown activities and post shutdown activities. Party mobilize sufficient quantity of tools & tackles such as suitable capacity of hydraulic jack, chain pulley blocks, Winch machine, wire rope, scaffolding material, welding and cutting machines and other tools & tackles for completing the work.

ii. **Major activity involve for replacement of ash cooler coil:**

- 1) Shifting of new coil from warehouse.
- 2) Erection of Scaffolding.
- 3) Insulation removal and application
- 4) ACW (AUX. Cooling water) line removal work (Size: Approx. OD 270MM)
- 5) Blower air supply pipe removal work
- 6) Coil inlet and outlet header removal
- 7) Stuffing box opening and removal from casing.
- 8) Refractory breaking for freeness of coils from stuffing box.
- 9) Damaged coil assembly removal from ash cooler
- 10) Ash cooler Bundle chamber -1 cleaning for new coil erection work.
- 11) New ash cooler coil erection
- 12) Stuffing box installation work
- 13) Re-installation of ACW supply & return line, ACW I/L & O/L headers and blower air lines.
- 14) Scrap removal work.
- 15) Tools & tackles and consumables with required quantity of 100MT Hydraulic Jack for removal and to insert the coil with stuffing box
- 16) Other statutory requirement to complete the work

INSTRUCTIONS:

1. The bid submitted by the bidder not covering the total scope of work and services as detailed out in the tender document shall be liable for rejection.
2. Quantum of job mentioned against all items in the price bid are indicative only & may vary as per site requirement & not to be construed as maximum or guaranteed quantity. The quantities shown in the price bid are approximate quantities for the contract period and they may vary as per job requirements.
3. All the miscellaneous activities pertaining to specific work to be executed for satisfactory performance is in the scope of contractor in his quoted rates.

3. SCOPE OF GIPCL:

1. All spares for replacement in the above scope work (Clause.2) will be provided by GIPCL.



SURAT LIGNITE POWER PLANT: Tender for replacement of “**1) Re-heater link bend pipe after DESH (De superheater) in Unit-1& 4 Boilers and 2) Ash cooler coil bundle in Unit-1 Boiler**” during ensuing overhauling year-2022-23.

2. All the steel structural material required for fabrication of temporary supports will be provided by GIPCL.
3. Required drawings for above works.

4. GENERAL INSTRUCTIONS

- 4.1 The Bidders who are interested in participating in the tender must read and comply with the instructions and the Terms & Conditions contained in the tender documents.
- 4.2 The Bids shall be filled in by the Bidders clearly, neatly and accurately. Any alteration, erasures or overwriting shall be liable to make the tender invalid unless the same is neatly carried out and attested over the full signature of Bidder. The decision of the Company to interpret the information and rates filled in by the Bidder shall be final and binding on the Bidder.
- 4.3 The Bidders are requested to make themselves fully conversant with the General Conditions of Contract, Special Conditions of Contract, Technical Specifications, Site conditions, Safety & Health Aspects and Norms shall be observed etc. before submitting their bids so that no ambiguity arises in these respects subsequent to submission of the Bids.
- 4.4 Before quoting the rates, the Bidder must visit site and should go through the specifications, scope of work etc. and get himself fully conversant with them. The Bid should include cost of mobilization and cost to adhere to all Safety Norms as described in the tender. No relaxation or request for revision of quoted/accepted rates shall be entertained subsequent to the opening of Bid on account of mobilization or Safety costs.
- 4.5 Bidder has to submit all the information as per required Bid document. Failure to furnish all the information as per required Bid documents or submission of a Bid containing deviations from the contractual terms and conditions, specifications and requirements, shall be rejected.
- 4.6 The Bids shall be submitted within the time frames set out in the Notice Inviting Tender ('NIT') and Bids submitted thereafter shall not be accepted and considered.
- 4.7 The tender documents shall not be transferable.
- 4.8 The Bidders are expected to examine all instructions, forms, terms & specifications in the Bid documents and to get fully acquainted themselves with all the conditions and matters which may affect the subject matter of the work/tender or the cost thereof. If any Bidder finds any discrepancies or omissions in the specifications and documents or any doubt in true meaning or interpretation of any part, he shall seek necessary clarifications in writing if required.
- 4.9 Conditional offers shall not be considered and liable shall be rejected.
- 4.10 The Company reserves the right to extend the deadlines for submission of the Bids by giving amendments.
- 4.11 During evaluation of Bids the Company may, at its discretion ask the Bidder (s) for clarification of their Bid. The request for clarification and the response shall be in writing and no change in prices or substance of the Bid shall be sought, offered or permitted.



SURAT LIGNITE POWER PLANT: Tender for replacement of “1) Re-heater link bend pipe after DESH (De superheater) in Unit-1& 4 Boilers and 2) Ash cooler coil bundle in Unit-1 Boiler” during ensuing overhauling year-2022-23.

- 4.12** The Company reserves the right to amend/ modify the Bidding documents at any time prior to the deadline for submission of Bids, either at its own discretion or in response to the clarification requested by a prospective Bidder. In such case, the Company may in its discretion extend the deadline for submission of Bids in order to facilitate the prospective Bidders for incorporating the effect of the amendment in their Bids.
- 4.13** The Bidders shall bear all costs and expenses associated with the preparation and submission of their respective Bids, to attend meetings or conferences, if any, including any pre award discussion with the successful Bidder, technical and other presentations etc. and the Company shall not be liable for any expense thereof.
- 4.14** If the successful Bidder is consortium/joint deed of undertaking of company, the Consortium leader/Bidder shall accept joint and several responsibilities and liabilities for all obligations under the Contract.
- 4.15** Timely and satisfactory completion of the work and strict adherence to the allotted time frames for jobs shall be the essence of the contract.
- 4.16** The Company reserves the right to qualify/disqualify any applicant without assigning any reason.
- 4.17** The Bidder shall be disqualified if any untrue statement or misrepresentation is made in the Bid forms, attachments and other supporting documents submitted by the Bidder.

5. PLANT VISIT

It is requisite and necessary for all interested bidders to visit the site/plant after downloading the tender copy to understand the actual working conditions, compliance related to labour, safety etc. before submitting their offer. Failing which, any consequential liabilities arising will be to bidder's account. The bidders shall examine the site of works and its surroundings at his own responsibility. The bidders shall collect information that may be necessary for preparing the bid and entering into a contract. All costs and liabilities arising out of the site visit shall be at bidder's account.

The bidder is deemed to have examined and understood the tender document, obtained his own information in all matters whatsoever that might affect the carrying out the works expressly mentioned or works which may have shall be carried out to fulfill his contractual obligation within the scheduled rates and to have satisfied himself to the sufficiency for his offer.

The submission of tender by a contractor implies that he has visited the site and read these instructions, conditions of the contract etc. and has himself aware of the scope, nature of works & specifications of the works shall be done, General & Special Terms and Condition. GIPCL will not, therefore after acceptance of contractor's rate, pay any extra charges for any other reason in case the contractor is found later on to have misjudged the site conditions.

Any error in description or quantity or omission in the contract document shall not vitiate the contract or release the contractor from executing the work comprised in the contract according to scope of works, magnitude of the works, requirement of materials, equipment, tools& tackles, labour, etc. Contractor has to complete the work in accordance with the contract documents irrespective of any defects, omissions or errors that may be found in the contract documents.

BIDDER shall inspect the site, examine and obtain all information required and satisfy himself regarding matters such as access to site, communication, transport, working condition including



SURAT LIGNITE POWER PLANT: Tender for replacement of “**1) Re-heater link bend pipe after DESH (De superheater) in Unit-1& 4 Boilers and 2) Ash cooler coil bundle in Unit-1 Boiler**” during ensuing overhauling year-2022-23.

constraint of work place, confined area, quantum of dusting, running equipment, importance of work, round the clock working conditions, safety requirements, temperature of fresh drained hot bed material and associated risks, right of way, high flood level in River, flow of water during monsoon/dry season in the River/Nallah, the type and number of equipment and facilities required for the satisfactory completion of work, the quantity of various items of the work, the availability of local labour, availability and rates of material, local working conditions, uncertainties of weather, obstructions and hindrances that may arise, etc which may affect the work or cost thereof, before submission of his Bid. Ignorance of site conditions shall not be accepted by the GIPCL as basis for any claim for compensation. The submission of a Bid by the BIDDER will be construed as evidence that such an examination was made. Any later claims / disputes in regard to rates quoted shall not be entertained or considered by the GIPCL.

The rates quoted by BIDDER shall be based on his own knowledge and judgment of the conditions and hazards involved and shall not be based on any representations of the Engineer.

6. ELIGIBILITY CRITERIA

Eligibility criteria for selection of vendors for the said work is as mentioned below:

1. Bidder should have experience of executing **three work orders in the last five financial** years ending last day of the month previous to the one in which tender is invited in **the field of Erection or repair/replacement of pressure parts in boilers having capacity not less than 100MW** and should enclose the proofs of the same.

Bidder shall submit necessary evidence for the same like copies of work orders along with work completion certificates from clients. The work completion certificate shall comprise of Order value & Executed value. Bidders should have executed the work directly.

2. Bidder should produce evidence of having experience of successfully completed similar works as defined hereunder for during last Five years ending last day of the month previous to the one in which tender is invited, satisfactory progress of ongoing works etc. secured from clients copies of documentary evidence preferably photo copies of work experience. The experience should be either of the following:
 - a. One similar completed work each costing not less than the amount equal to Rs 14.15Lakh.
OR
 - b. Two similar completed work each costing not less than the amount equal to Rs 8.9Lakh.
OR
 - c. Three similar completed work each costing not less than the amount equal to Rs 7.1 Lakh.

Bidder should specifically mention fulfilling of above criteria in his offer along with details of work orders & work completion/execution certificates issued by clients.

3. Bidder should possess a valid IBR license of Special class Boiler repairer, erector, steam pipe and feed pipe line fabricator under regulations 392 of Indian boiler Regulations 1950 from Directors of Boiler.
4. Tender fee: The tender fee shall be accompanied in form of **RTGS** only.



SURAT LIGNITE POWER PLANT: Tender for replacement of “**1) Re-heater link bend pipe after DESH (De superheater) in Unit-1& 4 Boilers and 2) Ash cooler coil bundle in Unit-1 Boiler**” during ensuing overhauling year-2022-23.

5. EMD: The EMD shall be accompanied in the form of DD/RTGS or Bank Guarantee given by Bank.
6. Bidder should have separate Employees Provident Fund code number towards registration of firm with RPF commissioner.
7. Copies of relevant documents duly signed & seal on each & every page shall be submitted.
GIPCL may verify the documents, experience certificates issued by concerned authority. After opening of technical Bid, if any required documents are found missing in the Technical Bid submitted by the Bidder, the tender inviting authority may inform to that Bidder by E-mail to submit the missing documents within stipulated time limit. If Bidder/Bidders fail to submit missing documents within stipulated time, their Bid will be declared technically disqualified and no further correspondence will be entertained.
8. Bidder should have average annual turnover of **5.30 Lakhs** during last three financial years (2018-19, 2019-20, 2020-21). Bidder shall furnish annual audited financial statement duly certified by Chartered Accountant for the last three financial years to demonstrate the financial healthiness of the company. The balance Sheet and Profit and Loss Account must be in the name of the company. Any type of MOU for this purpose will not be entertained.

Note: In case, the annual turnover is less than the statutory guideline which does not require audit, the bidder shall submit the turnover certificate from Chartered Accountant.
9. The Bidder has to submit INCOME TAX Permanent Account Number (PAN), & GST registration number. Copies of the same shall be submitted.
10. The net worth of the bidder should be positive as evidenced from audited accounts of last financial year.
11. In case Bidder is Consortium/Joint deed of undertaking of company, the above requirements/credential of consortium leader/bidder shall be considered unless otherwise specifically mentioned in the tender.
12. If Bidder or its Partner(s) or Director(s) is /are/was Black Listed / Deregistered / Stopped or banned from dealing in the past by any Govt, of Gujarat Undertakings / Depts. / Authorities and Govt. of Gujarat supported companies / undertakings / organizations, Bid of that party may be liable to be rejected. Bidder agrees and undertakes to accept decision of GIPCL in this regards as final and binding on the Bidder without any demur and that no further correspondence shall be done in this



SURAT LIGNITE POWER PLANT: Tender for replacement of “1) Re-heater link bend pipe after DESH (De superheater) in Unit-1& 4 Boilers and 2) Ash cooler coil bundle in Unit-1 Boiler” during ensuing overhauling year-2022-23.

regard at any stage. Bidder shall have to submit “Declaration for Contractual Litigations” as amended in Annexure / Form attached.

13. Bidder shall have to submit the “Declaration-cum-Undertaking for Compliance of Safety Laws and Regulations” as amended in Annexure / Form attached.
- If any Major Violation of any safety law(s) / Rule(s) is / are found during the preceding Three (3) years, Bid of that party will be liable to be rejected. Bidder agrees and undertakes to accept decision of GIPCL in this regards as final and binding on the Bidder without any demur and that no further correspondence shall be done in this regard at any stage.
 - If any of the details submitted in the prescribed Annexure / Form to the Bid is/are found to be false, incorrect at any time in future, then the Contract awarded to that Bidder / Contractor shall be liable to be terminated forthwith without any notice / correspondence and Bidder agrees and undertakes to accept decision of GIPCL in this regards as final and binding on the Bidder without any demur and that no further correspondence shall be done in this regard at any stage. Further, Performance / Security Deposit will also be liable to be forfeited. Any dues to GIPCL from the Bidder / Contractor shall be recovered from the pending bills or any other dues payable to the Bidder / Contractor, if any or otherwise through any other recourse available under the Laws.

The Bidder shall submit all the evidences, documents, copies of work orders & work completion certificates etc... as a proof with EMD & Tender Fee and also provide the requisite details online for meeting the prequalification requirements. GIPCL will verify the experience, performance, capability & strength of Bidders, independently for executing the job. GIPCL may visit the site & consult the owner of the industry/property where similar job is executed by the Bidder. GIPCL reserves the right to accept/cancel/reject any/all Bids without assigning any reason thereof. The tenders of qualified Bidder/Bidders shall only be considered for further evaluation.

7. LANGUAGE OF BID

The Bid prepared by the Bidder, and all correspondence and documents relating to the Bid exchanged by the Bidder and the Company, shall be written in the English language. Any printed literature furnished by the Bidder, written in another language shall be accompanied by an English translation for the purpose of interpretation of the Bid.

8. EARNEST MONEY DEPOSIT (EMD) AND TENDER FEE

- 8.1 An EMD of **Rs. 15,000/-** (Rupees Fifteen Thousand Only) and Non refundable Tender fee **Rs. 2950/-** (Rupees Two Thousand Nine Hundred Five Hundred only) shall accompany with Bid. Tender fee shall be submitted through RTGS only as per bank account detail specified below.
- 8.2 The EMD shall be submitted in the form of DD/irrevocable Bank Guarantee in favor of Gujarat Industries Power Company Limited from any Schedule Public Sector Bank or Schedule Private Sector Bank as per Performa of BG enclosed with this e-tender.



SURAT LIGNITE POWER PLANT: Tender for replacement of “1) Re-heater link bend pipe after DESH (De superheater) in Unit-1& 4 Boilers and 2) Ash cooler coil bundle in Unit-1 Boiler” during ensuing overhauling year-2022-23.

Alternatively, The EMD & Tender Fee may also be submitted through RTGS/online mode of payment by the bidders as per the details given below:-

BANK NAME: State Bank of India

BRANCH: Utility Building, Nani Naroli, Taluka Mangrol, Dist. Surat. Pin 394 110

IFSC CODE: SBIN0013423

BENEFICIARY NAME: Gujarat Industries Power Co. Ltd

A/C No. : 33514692834

- 8.3 In case EMD is paid in the form of BG, the same shall be valid for a period of 180 days after the due date for submission of the bid
- 8.4 The EMD of the successful bidder will be returned after payment of Security Deposit by successful bidder.
- 8.5 The earnest money deposit will be refunded to the unsuccessful BIDDER as soon as the tender is finalized and after award of LOI/Work Order.
- 8.6 Any bid not accompanied with EMD and Tender fee will be rejected. Tender fees and EMD should be submitted to GIPCL.
- 8.7 No interest shall be payable on EMD.
- 8.8 The EMD will be forfeited if the BIDDER (i) withdraws his tender after acceptance or (ii) withdraws his tender before the validity date of the tender.

9. SCHEDULE OF EMD & TENDER FEES

EMD & Tender fee and other documents dully signed shall be submitted in physical form on or before due date of closing of the tender	Address for Submission: GM - SLPP GUJARAT INDUSTRIES POWER CO. LTD., (Surat Lignite Power Plant) Village – Nani Naroli, Taluka – Mangrol District – Surat 394 110, Gujarat Phone : 02629-261063 (10 lines) Fax : (02629) 261073 / 261074
--	---

10. SUBMISSION OF BIDS

A: MODE OF SUBMISSION

The bids shall be submitted online at the **(n) Procure** system within the dates specified in the NIT along with the details of tender fees, EMD in two parts as under:

- (a) Pre qualification and Techno-commercial Bid without price.
(b) Price Bid.

Note: Tender fee and EMD shall be submitted in physical form with clearly mentioning **BID No.:** SLPP/BOILER/U#1 & 4 /RH Bend & AC coil/ for “Tender for replacement of “1) Re-heater link bend pipe after DESH (De superheater) in Unit-1& 4 Boilers and 2) Ash cooler coil bundle in Unit-1 Boiler” during ensuing overhauling year-2022-23.



SURAT LIGNITE POWER PLANT: Tender for replacement of “1) Re-heater link bend pipe after DESH (De superheater) in Unit-1& 4 Boilers and 2) Ash cooler coil bundle in Unit-1 Boiler” during ensuing overhauling year-2022-23.

Note: Tender fee and EMD to be submitted in physical form within three working days after due date of closing of the tender without fail. Bid received after three working days after due date is liable to be ignored.

- User ID for e-reverse Auction
- **To participate in e-Reverse Auction, Bidders have to create e-Auction USER ID on www.auction.nprocure.com and it is mandatory to submit the same along with physical Techno-commercial Bid; so that the Bidder shall be allowed to participate in the e-Reverse Auction.**

(a) Pre qualification and Techno-commercial Bid without price:

The tender document duly signed in all pages without price bid along with Techno-commercial deviations, if any, shall accompany the bid. The following Information shall be provided in the techno commercial bid:

1. Details of Eligibility Criteria as per attached **Annexure-I**
2. Schedule of deviation (**Annexure-J**) Technical as well as commercial, if any.

The following supporting documents shall also be submitted along with EMD & Tender Fee in physical form:

1. The tender documents dully signed in all pages without price bid along with techno-commercial deviations, if any.
2. Proof of experience meeting the minimum eligibility criteria as mentioned in tender documents.
3. Performance certificate issued by clients.
4. Previous work order copies.
5. Details of present work order (if any)
6. Turn over for the last three years, audited annual accounts/financial statements i.e. profit and loss account and balance sheet duly certified by a practicing CA will be required.
7. P.F. Number and Allotment Letter.
8. PAN Number.
9. Goods & Service tax registration number/certificate copy.

(b) Price Bid:

1. Value of Work displayed on (n)Procure is with GST@18%. Price Bid shall be submitted **online** only in through (n)Procure portal (www.nprocure.com).

Note: Estimated rates includes cost of all manpower, equipments, vehicles, consumables, tools & tackles, transportation, safety & statutory compliances, mobilization, contingency expenditure and supervision charges etc.

2. GST/any other taxes & duties shall be paid extra at actual as per prevailing rate as declared by central government on submission of documentary evidence. Taxes & Duties shall be quoted separately if applicable.
3. Bidder shall have to quote rates in the form of % age. i.e. At Estimated value OR _____% below the estimated value OR _____% above the estimated value.”
4. The quantities shown in the price bid are approximate for the contract period and may vary as per site requirement.



SURAT LIGNITE POWER PLANT: Tender for replacement of “1) Re-heater link bend pipe after DESH (De superheater) in Unit-1& 4 Boilers and 2) Ash cooler coil bundle in Unit-1 Boiler” during ensuing overhauling year-2022-23.

5. The Bidder shall fill the bid documents with utmost care in consonance with the instructions contained in the bid documents.

The prices quoted are firm throughout the contract period and will not subject to any variation whatsoever.

(a) **E-Reverse Auction:**

In (n) Procure system provision may be made for replacement of 1) Re-heater link bend pipe after DESH (De superheater) and 2) Ash cooler coil bundle in Unit-3 boiler for reverse Auction.

1. For conducting e-Reverse Auction, lowest 50% out of total eligible Bidders (rounded to the next higher whole number) or Minimum three (03) eligible bidders (L1 to L3) will be invited.
2. L1 value will be declared through (n)Procure's e-Auction Portal: <https://eauction.nprocure.com> to start e-Reverse auction process and final received lowest auction price in the value by e-Reverse auction process will be the final L1 price.
3. Minimum decremental value for the e-Reverse auction will be set by GIPCL prior to start of e-Reverse auction and this will be applicable during each reverse Bid.
4. Duration for the e-Reverse auction will be 30 Minutes with provision of extension for further 15 Minutes at every single reverse bid received during the last 05 minutes, till there is no further reverse bid entry by the participating Bidders.

NOTE:

1. **Final quantity to be awarded shall be decided by GIPCL at the time of award of contract.**
2. **Payment shall be made based on actual quantity executed.**

B: METHOD OF TENDERING/SIGNATURE ON BIDS

- (i) The Bid must contain the postal address like name, residence and place of business of the person or persons submitting the Bid and must be signed and sealed by the Bidder with his usual signature. The name of all persons signing the documents shall also be typed or printed below the signature on each page.
- (ii) Bid by a joint venture/partnership firm must be furnished with full names of all partners and be signed with the partnership name, followed by the signature and designation of one of the authorized partners or other authorized representative(s). A certified copy of the power of attorney authorizing such partner or representative shall also be submitted.
- (iii) Bids by a Corporation/Company must be signed with the legal name of the Corporation/Company i.e. by the President/Managing Director/Secretary or other person or persons authorized to Bid on behalf of such Corporation/Company. A certified copy of the board resolution/power of attorney authorizing such partner or representative shall also be submitted.
- (iv) The Bidder's name stated on the proposal shall be the exact legal name of the firm.
- (v) Erasures or other changes in the Bid Documents shall be initialed by the person signing the Bid.
- (vi) Bids not conforming to the above requirements of signing shall be disqualified.



SURAT LIGNITE POWER PLANT: Tender for replacement of “1) Re-heater link bend pipe after DESH (De superheater) in Unit-1& 4 Boilers and 2) Ash cooler coil bundle in Unit-1 Boiler” during ensuing overhauling year-2022-23.

11. SCHEDULE OF DEVIATIONS

Whenever bidder deviates from the specifications the same shall be listed out in the “Schedule of Deviation” attached as **ANNEXURE-J** to these specifications. Only those deviations, which are listed in this Annexure, shall be considered. Deviations indicated elsewhere will be rejected.

12. INFORMATION REQUIRED WITH THE BID

Bidder should clearly indicate along with details called for in the bid, the plants where he has undertaken similar work as also certificates from clients.

13. MODIFICATION AND WITHDRAWAL OF BIDS

- a. The Bidder may modify or withdraw the bid prior to the deadline prescribed for submission of bids.
- b. No Bid shall be modified subsequent to the deadline for submission of Bids.
- c. No Bid shall be withdrawn in the interval between the deadline for submission of Bids and the expiration of the period of bid validity.

14. POLICY FOR BIDS UNDER CONSIDERATION

- a. Bid shall be deemed to be under consideration immediately after opening of the bid and till official intimation of award/rejection made by the Company to the Bidders.
- b. While the Bids are under consideration, Bidders and / or their representative or other interested parties are advised to refrain from contacting by any means, the Company. The Engineer, if necessary, will obtain clarifications on the Bids by requesting for such information from any or all the Bidders, in writing as may be necessary. The Bidder will not be permitted to change the price or substance of the Bid after the Bid has been opened.

15. EFFECT AND VALIDITY OF THE BID

- a. The Bid should be kept valid for acceptance for a period of one hundred and eighty (180) calendar days from the last date of submission of Bids.
- b. The submission of any Bid along with the required documents and specifications shall constitute an agreement that the Bidder shall have no cause of action or claim, against the Company for rejection of his Bid. The Company shall always be at liberty to reject or accept any Bid or Bids at his sole discretion and any action will not be called into question and the Bidder shall have no claim in that regard against the GIPCL.

16. OPENING OF BIDS

16.1 The GIPCL will open the Technical Bid/price Bid, as the case may be, in presence of Bidder's representatives whenever such a procedure has been specified. Otherwise the tender will be opened by the authorized officers of GIPCL.

16.2 Preliminary Examination:

16.2.1 The Company will examine the Bids for any computational errors, for sureties furnished by bidder, for authentication of documents submitted and completeness of the Bids.



SURAT LIGNITE POWER PLANT: Tender for replacement of “1) Re-heater link bend pipe after DESH (De superheater) in Unit-1& 4 Boilers and 2) Ash cooler coil bundle in Unit-1 Boiler” during ensuing overhauling year-2022-23.

Arithmetical errors will be rectified on the following basis:

- (a) If there is a discrepancy between the unit price and the total price that is obtained by multiplying the unit price and quantity, the unit price shall prevail and the total price will be corrected & will be binding to the bidders
- (b) If there is a discrepancy between the Total Bid Amount and the sum of total prices, the sum of total prices shall prevail and the Total Bid Amount will be corrected & will be binding to the bidders.

17. EVALUATION & COMPARISON OF BIDS

- 17.1 GIPCL shall evaluate the Bids received and accepted by it to ascertain the lowest evaluated Bid in conformity with the specifications of the tender documents.
- 17.2 The Technical Bids will be examined for minor matters regarding qualification of bids. Subsequent to correspondence with the respective bidders, the decision of Tender Committee will be final.
- 17.3 All responses to requests for clarifications shall be in writing and shall be presented to the Company through e-mail or in a sealed envelope on or before the given date requested by the Company. If the Technical clarifications sought by the Company do not reach the Company on or before due date, the Bid will be rejected.
- 17.4 The comparison of all the Bids shall be carried out with reference to the scope of work as per the technical specification. Any deviation/omission shall be evaluated at highest quoted price of the deviation/omission quoted by any of the Bidder. In case a separate price (for omission) is not given by any other Bidder, a reasonable price of the same shall be taken & the same shall be binding to the Bidders.
- 17.5 The commercial deviation, if any, shall be loaded to bring all the Bids at par. The loading shall be carried out at an interest rate of 2% above PLR of SBI.
- 17.6 A Bid shall be substantially responsive shall be one which on evaluation confirms to all the terms, conditions and specifications of the Bid documents without any material deviation or reservation.
- 17.7 For the above referred purpose, a ‘material deviation’ shall be one which:
 - (a) Which affects in any substantial way the scope, quality or performance of the contract, or
 - (b) Which limits in any substantial way and in a manner inconsistent with the Bid documents, GIPCL’s right or the Bidder’s obligations, under the contract, or
 - (c) Whose rectification would affect unfairly the competitive position of other Bidders presenting substantially responsive Bids.

18. RIGHT OF REJECTION OF TENDERS

- 18.1 GIPCL reserves the right to accept or reject any Bid or to cancel the Bidding process and reject all Bids at any time prior to award of contract, without thereby incurring any liability to the affected Bidder or Bidders or any obligation to inform the affected Bidder or Bidders regarding the same.
- 18.2 Any Tender without EMD and Tender fee will be treated as non responsive and shall be rejected at the outset & no further correspondence shall be entertained regarding this.
- 18.3 GIPCL reserves the right to debar any Bidder from participation in future Bids if such Bidder has quoted an abnormally low rate in the Bid document/price Bid.



SURAT LIGNITE POWER PLANT: Tender for replacement of “1) Re-heater link bend pipe after DESH (De superheater) in Unit-1& 4 Boilers and 2) Ash cooler coil bundle in Unit-1 Boiler” during ensuing overhauling year-2022-23.

19. AWARD OF CONTRACT

- 19.1 GIPCL will award the contract to that bidder whose quotation has been determined shall be substantially responsive and evaluated as the lowest quotation in conformity with the requirements of the specifications and documents contained herein, provided further that the bidder is determined and evaluated to be qualified to perform the contract satisfactorily.
- 19.2 The successful bidder shall be intimated of his selection through the Letter of Intent or Letter of Award/ Work Order which shall be sent to him through e-mail, courier, fax or registered mail.
- 19.3 GIPCL reserves the right to cancel/short close the contract during the contract period without assigning any reason.
- 19.4 GIPCL reserves the right to split the contract quantity between vendors

20 CONTRACT PERIOD & WORK COMPLETION PERIOD

- 20.1 The contract will be for a period of **Twelve Months** from the date of issue of Work Order ('Contract Period').
- 20.2 GIPCL reserves the right to extend the Contract **Period up to three months** on the same rates and terms and conditions without any price escalation and entering into any new contract.

WORK COMPLETION PERIOD:

1. Time schedule for completion of job is **20 Days** from the date of intimation to party for mobilization for each Unit. (i.e Unit-1 Boiler and Unit-4 Boiler).
2. The said work shall be carried out in Unit-1 & 4 boiler during annual overhaul planned tentatively in the month of May- 2022 and August-2022 respectively. However it may also differ depending upon actual requirement of site.
3. The basic considerations and the essence of the 'contract' shall be the strict adherence to the time schedule for performing the specified 'works'. Contractor has to mobilize required number of manpower along with necessary tools, tackles, PPEs.
 - a) The work shall be carried out continuously round the clock with 2 x 12 hours shift working. Separate gangs shall be engaged in each shift without engaging the same manpower.
 - b) In case of delay in executing the contract by contractor, GIPCL reserves the right to engage another contractor and complete the balance job at the risk and cost of the contractor.

21. ASSIGNMENT AND SUB-LETTING

The Contractor shall not directly or indirectly assign or sub-let total/any part of the contract to any other party or agency.

22. CONTRACTOR'S OBLIGATIONS

A: DEPLOYMENT & RESPONSIBILITY OF MANPOWER

- (i) The Contractor shall deploy suitably qualified and sufficient manpower for timely & satisfactorily execution of the works under the contract.



SURAT LIGNITE POWER PLANT: Tender for replacement of “1) Re-heater link bend pipe after DESH (De superheater) in Unit-1& 4 Boilers and 2) Ash cooler coil bundle in Unit-1 Boiler” during ensuing overhauling year-2022-23.

- (ii) The Contractor shall deploy sufficient skilled, Semi-skilled and Un-skilled manpower separately to properly complete the job in given/scheduled time.
- (iii) The Contractor shall depute its own workmen / labor with proper identification to enter the plant premises after ensuring that the jobs are scheduled.
- (iv) At the time of deploying manpower, the Contractor shall strictly comply all the applicable labor laws/Acts norms including but not restricted to the age of the workers, women workers and shall also ensure that a police verification and security check for all the workmen/labor engaged at the GIPCL site is done and necessary documents regarding the same shall be submitted to the GIPCL's authorized representative/officer-in-charge. Any default in complying with the same or any misrepresentation regarding compliance of the same shall compel GIPCL to initiate appropriate civil or criminal proceedings regarding the same.
- (v) The Contractor shall also comply with the safety requirements and provide his workmen/labor with safety equipment like helmets, masks, gum boots and other necessary PPEs for properly undertaking the operations involved under this contract. Following are also shall be issued by contractor:
 - a) Safety shoes
 - b) Goggles / face shield.
 - c) Ear plug / Ear muff.
 - d) Hand gloves like electrical hand gloves / cotton hand gloves / Chemical hand gloves
- (vi) Contractor shall nominate /authorize senior experienced person in writing as site in charge to co-ordinate with GIPCL engineer and who shall bear overall responsibility for performance of the contract. Such person shall remain always available at site or site office allotted to the contractor at SLPP site. Contractor has to submit the authority letter and documentary proof for the same.
- (vii) The Contractor shall appoint a supervisor who shall co-ordinate with GIPCL's Engineer In - Charge for daily entrusted job. They have to maintain daily records dully signed for the works carried out and duly certified by Engineer-In-Charge. The Contractor in co-ordination with the Engineer-In-Charge shall ensure the availability of adequate manpower to carry out the job satisfactorily on a daily basis. As per the instruction of Engineer-In-Charge they have to allot the work and execute the same in specified time limit.
- (viii) During execution of the works, one or more jobs may be required to be done simultaneously and the Contractor shall mobilize additional resources accordingly.
- (ix) During emergency or similar situations the Contractor shall be required to mobilize resources as per need within the period of 24 hours as directed by GIPCL. If the contractor fails to mobilize sufficient manpower to complete the job in time, GIPCL will execute the job through other agency at the risk and cost of the contractor with 10% supervision charges& the same will be recovered from the Contractor's bill.
- (xi) During working in high risk area like hot lines of steam/ water/ oil the workman must wear a suitable safety apron, safety belt, safety hand gloves and goggles. It is the contractor's/contractor's supervisor's responsibility to ensure it without fail.
- (xii) Contractor should mobilize sufficient number of manpower and execute the work in all shifts with independent manpower. Contractor should not continue the same manpower for more than 12 hours.

B: TOOLS & TACKLES:

- (i) All tools and tackles required to execute the contract are in the scope of the contractor. The contractor should ensure that tools and tackles are in healthy & working condition. All consumable items would be in the scope of the contractor.
- (ii) For proper execution of the work as per the scope, the contractor is required to maintain sufficient quantity of tools & tackles with tractors & hydraulic trolleys in good working



SURAT LIGNITE POWER PLANT: Tender for replacement of “1) Re-heater link bend pipe after DESH (De superheater) in Unit-1& 4 Boilers and 2) Ash cooler coil bundle in Unit-1 Boiler” during ensuing overhauling year-2022-23.

- condition at site as per day to day work load and emergency situations to complete the work in stipulated time.
- (iii) In case of breakdown of equipment, the contractor should work round the clock for putting back the area in service immediately within minimum time. In case of any emergency arising during night hours the contractor should be in a position to mobilize the manpower immediately within minimum time.
 - (iv) Arrangement for lighting at the work spot has to be made by the contractor. He has to arrange all lighting equipment such as power cable, hand lamps. The contractor has to take prior approval for taking electrical power supply. The contractor should keep hand lamps of 24 Volt for confined space and sufficient quantity of 240 Volt and halogen lamp for other area ensuring safety at work place
 - (v) Pin sockets of IS standards should be used for all connections. For any accident taking place & any damage to the equipment and/or injury to human due to carelessness in loose connection, contractors will be held responsible & liable for any recovery/actions.

23. CLARIFICATION OF BIDDING DOCUMENTS

If any Bidder requires any further information or clarification in the Bidding Documents, may notify the Company before one week of last date of submission of online Bid, in writing or by E-mail at the GIPCL's mailing address mkvelu@gipcl.com, bnparekh@gipcl.com, slppmech@gipcl.com as indicated in the 'Invitation to Bids'. The GIPCL's response (including an explanation of the query) will be sent in writing or by E-mail to all prospective Bidders who have received the Bidding Documents.

24. TIME SCHEDULE

The basic considerations and the essence of the 'Contract' shall be the strict adherence to the time schedule for performing the specified 'Works'.

25. UNDERSTANDING AND CLARIFICATION ON DOCUMENTS AND SPECIFICATION

The Bidder is required to carefully examine the specifications and documents, all the conditions and matters work wise & cost wise. If any Bidder finds any discrepancies or omissions in the specifications and documents or is in doubt for any meaning of any part, he shall request in writing for an interpretation/ clarification to the GIPCL. All such interpretations and clarifications shall form a part of the Bid documents.

26. PAYMENTS

All the payments against the work order shall be in Indian currency and payable through cheque/RTGS only.

27. POINTS TO BE CONSIDERED DURING QUOTING ONLINE PRICE BID

- a. The schedule of rates shall be read in conjunction with Instructions to Bidders, General conditions of contract, Special conditions of contract and Technical specifications.
- b. The quantities given in the schedule of rates are estimated and will be made as per actual work carried out as per the rates of work order.
- c. The method of measurement of completed work for payment shall be in accordance with the method of measurement specified in the tender.
- d. No separate amount shall be payable for use of auxiliary equipment incidental to or in day to day operation in the course of fulfillment of contractual obligation of the vendor.



SURAT LIGNITE POWER PLANT: Tender for replacement of “1) Re-heater link bend pipe after DESH (De superheater) in Unit-1& 4 Boilers and 2) Ash cooler coil bundle in Unit-1 Boiler” during ensuing overhauling year-2022-23.

Note: Interested bidders are requested to submit the online tender at least two days in advance from the due date set for on line submission of bid in order to avoid non participation of (n) Procure due to probable technical problem in (n) Procure system.

28. QUANTITIES

The quantities specified are estimated and for tendering purpose only. Payment will be made, based on actual work done as certified by Engineer-in-charge of GIPCL.

Quantities of individual items may be revised during the course of contract period based on site requirement. Contractor shall not be entitled for any compensation on ground of such alteration in scope of work. GIPCL reserves the right to operate or increase/decrease quantities in each item or omit any item included in Schedule of Quantity at his discretion. Contractor shall have no claim, whatsoever, on grounds of loss of anticipated profit etc. on account of the same.

After commencement of the work, GIPCL, for any reason may not require to be carried out the whole/part of the work as specified in the tender, the ENGINEER-in-charge shall inform the fact for thereof to the CONTRACTOR and contractor shall have no claim for any payment or compensation whatsoever on account of any profit or advantage which he might have derived from the execution of the work in full but which he did not derive in consequence of the full amount of the work not having been carried out nor shall he have any claim for compensation by reason of any change having been made in the original specifications and instructions which shall involve any curtailment of the work as originally contemplated.



SURAT LIGNITE POWER PLANT: Tender for replacement of “1) Re-heater link bend pipe after DESH (De superheater) in Unit-1& 4 Boilers and 2) Ash cooler coil bundle in Unit-1 Boiler” during ensuing overhauling year-2022-23.

SECTION-C

GENERAL CONDITIONS OF CONTRACT

1. CONTRACT SECURITY DEPOSIT/ PERFORMANCE BANK GUARANTEE

As a Contract Security/Performance Bank Guarantee, the successful Bidder, to whom the work is awarded, shall be required to furnish a Performance Bank Guarantee (PBG)/Contract security deposit (SD) in favour of Gujarat Industries Power Company Limited of an equivalent amount of ten percent (10% of the “Annual Contract Price excluding GST) of the “Contract Price excluding taxes and duties” from any Schedule Public Sector Bank or Schedule Private Sector Bank in the format attached in **SECTION-F**, and it shall guarantee the faithful performance of the 'Contract' in accordance with the terms and conditions specified in these documents and specifications. Contract security deposit/PBG shall be submitted strictly within twenty one days from the date of LOI or work order, whichever is earlier. The PBG/ Security Deposit shall be valid up to retention period of four months from the contract completion date. The Guarantee amount shall be payable to the Company in Bidder's home currency without any condition whatsoever.

GIPCL reserves the right to forfeit Performance Bank Guarantee (PBG)/Contract security deposit.

The Performance Bank Guarantee (initial security deposit) will be returned to the Vendor/Contractor without any interest at the end of the 'Retention Period' after completion of contract and on fulfilling contractual obligations throughout the retention period. However, any delay in submission of SD will result in equivalent late release of entire SD after guarantee period.

Bid security/EMD shall be refunded to the successful bidder on receipt of Performance Security.

2. LD CLAUSE:-

In case of failure to adhere to the time schedule by the contractor penalty will be levied at the discretion of GIPCL- Engineer in charge considering extent of delay in particular job. LD @ 0.5% of executed contract value per hour for the delayed job shall be deducted from the contractor's bill subject to a maximum of 10% of the value. L.D shall be levied unit wise.

3. RECOVERY CLAUSE

- (i) In case of any damage of equipment/machinery due to negligence of contractor or any other reasons attributed to contractor the decision of Engineer-in-charge regarding the amount of recovery shall be final and binding subject to a maximum of **10%** of contract value. Recovery will be affected from the monthly bills and/or security deposit.
- (ii) If the contractor fails to execute the work as per directions of Engineer (I/c) within the time frame given in work order and as per day to day instructions by Engineer-in-charge, GIPCL



SURAT LIGNITE POWER PLANT: Tender for replacement of “1) Re-heater link bend pipe after DESH (De superheater) in Unit-1& 4 Boilers and 2) Ash cooler coil bundle in Unit-1 Boiler” during ensuing overhauling year-2022-23.

shall get the work done by third party at the risk & cost of the contractor with **10%** additional overhead charges of GIPCL.

4. DEDUCTIONS FROM CONTRACT PRICE

All costs, charges or expenses that GIPCL may have paid, for which, under the contract the contractor is liable, shall be recovered by the GIPCL. The contractor shall pay all such claims within 15 days of claim failing which the same shall be deducted from the bills of contractor.

5. TERMINATION OF CONTRACT BY GIPCL

Contractor shall be responsible to complete the jobs within agreed time schedule and in case contractor fail to complete the job, GIPCL shall recover from his bill, Security Deposit and / or whatsoever for expenses incurred to complete the job with additional **10%** overhead charges.

In case if contractor's services are not found satisfactory with respect to mobilization, time bound completion of work, workmanship & safety (OHSAS policy of GIPCL) then GIPCL has right to terminate the contract at any time by giving him **15 days** advance notice without assigning any reason and will make the alternate arrangement at the risk & cost of contractor.

GIPCL may terminate the contract after due recoveries of pending jobs/damages after giving **15 days** advance notice to the contractor if any of the following events occur –

- i. Contractor is adjudged as insolvent.
- ii. Contractor has abandoned the contract.
- iii. Contractor fails to proceed with the work with due diligence as per requirements of the contract.
- iv. Contractor has neglected or failed persistently to observe or perform any of the acts, matters or things, which as per the contract are to be observed and performed by the contractor.
- v. Contractor repetitively violating the safety norms for more than three incidents.
- vi. Any major contradiction of applicable labour laws.
- vii. Any major deviations from contractual terms and conditions including quality of job.
- viii. GIPCL reserves the right to terminate the contract without giving any reason whatsoever and forfeit the PBG.

6. FAILURE & TERMINATION

If the CONTRACTOR after receipt of written notice from the GIPCL/ ENGINEER requiring compliance, with such further drawings and / or the GIPCL /ENGINEER instructions fails within seven days to comply with the same, the GIPCL /ENGINEER may employ and pay other agencies to execute any such work whatsoever as may be necessary to give effect thereto and all costs incurred in connection therewith shall be recoverable from the CONTRACTOR by the GIPCL on a certificate by the GIPCL/ENGINEER as a debt or may be deducted by him from any money due or to become due to the CONTRACTOR.

If the contractor fails to execute the work or fails to mobilize the resources and equipments as per directions of GIPCL / ENGINEER within the time frame given and/or violating the GIPCL's safety rules & regulations, ENGINEER/ GIPCL shall get the work done by third party at the risk & cost of the CONTRACTOR with additional 10% overhead charges of GIPCL and all costs incurred in connection therewith shall be recoverable from the



SURAT LIGNITE POWER PLANT: Tender for replacement of “1) Re-heater link bend pipe after DESH (De superheater) in Unit-1& 4 Boilers and 2) Ash cooler coil bundle in Unit-1 Boiler” during ensuing overhauling year-2022-23.

CONTRACTOR by the GIPCL /ENGINEER as a debt or may be deducted by him from any money due or to become due to the CONTRACTOR.

7. SETTLEMENT OF DISPUTES

- a. Any disputes or difference of opinion between parties arising out of the contract to the extent possible shall be settled amicably between the parties. If amicable settlement cannot be reached all the disputed issues shall be resolved through arbitration before a Sole Arbitrator appointed by Managing Director, GIPCL according to the provisions of The Arbitration & Conciliation (Amendment) Act, 2019 as amended from time to time. The place of arbitration shall be at Vadodara/ Surat or any other place within state of Gujarat.
- b. Work under the contract shall be continued by the contractor during arbitration proceedings unless GIPCL shall order suspension thereof or any part thereof in writing or unless the matter in such work cannot possibly be continued unless the decision of the Arbitration proceedings is obtained.

8. INTERPRETATION CLAUSE

In case of disputes as regards interpretation of any of the clauses or specification, the decision of Head of Management (HOM)-GIPCL will be final and binding on the contractor.

9. EMPLOYEE'S COMPENSATION INSURANCE

Contractor shall take all risk Insurance Policy to cover all his workmen/employees, staff applicable under the Employee Compensation Act 1923 or any amendment thereof as also insurance cover for third party liability. The contractor shall keep the GIPCL indemnified from all liabilities arising out of his action in pursuance of this contract. The E. C. Policy should be obtained from Baroda/Surat Jurisdiction (As per Work Location) and shall be assigned to GIPCL. EC policy should cover the specified contract period.

Contractor shall also obtain additional off-duty coverage insurance policy for all his workers.

10. STATUTORY REQUIREMENTS

a. COMPLIANCE OF LABOUR LAWS

The contractor shall at his own cost comply with the provision of labor laws, rules, orders and notifications whether central or state or local as applicable to him or to this contract from time to time. These Acts/Rules include without limitation of the followings.

1. Contractor shall be solely responsible and shall fully comply with all the provisions of all the labor laws applicable such as the Minimum Wages Act, 1948, Contract Labor (Regulation & Abolition) Act 1970, Factories Act, 1948, Payment of Bonus Act 1965, Employees Provident Fund and Miscellaneous Provision Act 1952, Industrial Dispute Act 1947, Workmen Compensation Act 1923, Payment of Gratuity 1972, Interstate Migrant Workmen Act 1979, Equal Remuneration Act with Rules, Order and Notifications issued/made there under from time to time.
2. All other Acts, Rules/Bye-Laws, Orders, Notifications etc. present of future applicable to the contractor from time to time for performing the contract job.



SURAT LIGNITE POWER PLANT: Tender for replacement of “1) Re-heater link bend pipe after DESH (De superheater) in Unit-1& 4 Boilers and 2) Ash cooler coil bundle in Unit-1 Boiler” during ensuing overhauling year-2022-23.

- 2.1 The Contractor shall provide and be responsible for payment of Wages, Salaries, Bonus, Social charges, Insurance, Food, Accommodation, Transport, Medical and Canteen facilities and other statutory privileges and facilities to his personnel as per law/rules/regulations and orders of the Central Government, State Government, Local Authorities or other authorities as are in force from time to time. All employees of the Contractor shall be employee of the Contractor.
- 2.2 The contractor shall have a valid license obtained from Licensing Authority under the Contract Labor (Regulation & Abolition) Act-1970 at the time of execution of the contract covering all his employees working at SLPP site and furnish the same failing which GIPCL may terminate the contract at its sole discretion.
- 2.3 The Contractor shall at the time of execution of the contract have a EPF Code Number obtained from the Authorities concerned under the Employees Provident & Miscellaneous Provisions Act, 1972 and remit contributions in respect of the employees employed by him at SLPP Site to the P.F office concerned every month failing which GIPCL will recover from the outstanding payment to the contractor from GIPCL.PF code of Gujarat region should be taken.
- 2.4 The Contractor shall maintain all records/registers required to be maintained by him under various labor laws mentioned above and produce the same before the Statutory Authorities whenever required.
- 2.5 The Contractor shall also submit periodical reports / returns to the various statutory authorities such as the Contract Labour (Regulation & Abolition) Act-1970, Employees Provident Fund Act etc. Under intimation to HR&Admn.Dept.
- 2.6 The Contractor shall not pay less than the Minimum Wages notified by the Government from time to time to his employees of corresponding categories.
- 2.7 The Contractor shall be responsible for payment of overtime wages to his workmen, if any, in case they are required to work beyond the prescribed hours under law as per applicable rates.
- 2.8 The contractor shall take Workmen Compensation Insurance Policy for all his employees working at GIPCL. The contractor shall indemnify the company against any liability due to any work injury or accident to any of its employees.
- 2.9 The Contractor shall in the event any of his workmen / employee sustains any injury or disablement due to an accident arising out of and in the course of his employment, provide necessary medical treatment and pay compensation as applicable, required under the Workmen's Compensation Act, 1923.
- 2.10 If any of the persons engaged by the Contractor misbehave with any of the officials or the Company or commit any misconduct with regard to the property of the Company or suffer from any serious communicable disease, the Contractor shall replace them immediately.
- 2.11 The Contractor shall not engage / employ persons below the age of 18 years. Employment of women shall be strictly according to applicable laws.
- 2.12 GIPCL will have right to deduct and disburse the claims of the individual / parties being a principal employer on any account whatsoever in relation to their employment with the contractor. The Security deposit will be released to the contractor at the end of the contractual tenure subject to an undertaking by the contractor that in the event any of his workmen or the heirs of workmen puts up a claim for recovery of money due to him from the contractor before the appropriate authority under the I.D.Act 1947 or under any other labor laws or for compensation under the Workmen's Compensation Act, 1923 and the appropriate authority has given a direction for making payment the contractor will meet the same or indemnify GIPCL if in the event GIPCL pays it as Principal Employer.
- 2.13 The contractor shall make payment of wages to his employees on fixed date within the period specified under the applicable Law, in presence of representative of the company.



SURAT LIGNITE POWER PLANT: Tender for replacement of “1) Re-heater link bend pipe after DESH (De superheater) in Unit-1& 4 Boilers and 2) Ash cooler coil bundle in Unit-1 Boiler” during ensuing overhauling year-2022-23.

- He will submit a true copy of wage sheet, attendance register and P.F. remitted challans on monthly basis to HR&A dept. for verification and record.
- 2.14 The Contractor shall provide Safety items / kits to his employees such as safety shoes, goggles, ear plugs, hand gloves, safety belts etc., if any, required under the law.
 - 2.15 The contractor shall conduct pre-induction and periodic medical checkup of his workmen as per applicable laws.
 - 2.16 The contractor shall be solely responsible for any accident caused to his workers and should adhere to all rules / regulations as per labor laws of Government and other statutory laws as applicable.
 - 2.17 The contractor should register himself under the Contract Labor Act, Employee Compensation Act and PF Act (Code no. to be mentioned) and submit the copy of registration certificate and should possess the same from the date of commencement of work, failing which the contract is liable to be cancelled. The E.C. Policy copy should be submitted to the GIPCL before commencement of the work and Labor License should be obtained within one week from the date of issue of form-V. Contractor should apply for Form-V immediately after receipt of LOI. A copy of Labour License shall be submitted to GIPCL, HR & A Department.
 - 2.18 Contractor shall have to insure his workmen /supervisors etc. under Group Insurance scheme.
 - 2.19 The Contractor shall be responsible for compliance of all statutory rules, regulation, act enforced from time framed by the government such as Factory Act, Employee Compensation Act, payment of ‘Wages Act’, Minimum Wages Act’, Provident Fund Act, All Labor Laws Act in respect of employees engaged by him for the work and shall have to maintain necessary records. In case any amount becomes due to be payable by him to his employees or to the Government under the above rules, regulation, Acts, GIPCL reserves the right to recover the same from the running bill of the contract.
 - 2.20 Documentary evidence of deposit of PF paid shall have to be produced by the contractor along with the next bill.
 - 2.21 Records as per the provisions of various statutory Acts will have to be maintained by the contractor and submitted as and when required.
 - 2.22 All employees of contractor should maintain due discipline and respect local sentiments. GIPCL reserves the right to direct the contractor to remove any such person who does not comply with it.
 - 2.23 The list is indicative in nature and not an exhaustive one. Any amendment/alteration/Notifications or addition to the existing Law or a new statute shall automatically and immediately become applicable.
 - 2.24 Annual Health Check Up:- As per statutory requirement, Contractor has to inform workmen deployed at site for annual health check up as per schedule prepared by HR&A department.

b. LEGAL ASPECTS

1. Contractor shall maintain all register required under the Labour Laws and make the payment as per the Minimum Wages Act to the workers employed by him.
2. Contractor shall obtain requisite license to carry out this contract under the provisions of Contract Labour Act, 1970 and maintain necessary records and registers under the said Act.
3. Contractor shall submit a copy of each of the registration certificates with respect to Employees Provident Fund and Employee Compensation Act within one week time, from the date of award of this contract.



SURAT LIGNITE POWER PLANT: Tender for replacement of “1) Re-heater link bend pipe after DESH (De superheater) in Unit-1& 4 Boilers and 2) Ash cooler coil bundle in Unit-1 Boiler” during ensuing overhauling year-2022-23.

4. Contractor's employees, agent or sub-agent shall not smoke or light anything within the premises of the GIPCL and carry match box / lighter or any other explosive and /or inflammable material inside the plant.
5. Contractor shall abide by all the statutory rules and regulations like P.F, Labour Laws etc.
6. Contractor shall issue an appointment order to each casual labourer stating therein the nature of job shall be performed by him and fix time for which the concerned labourers are likely to be deployed. Contractor shall also issue a temporary identity card specifying the period for which the labourer has been deployed.
7. Contractor is fully liable for the persons engaged by him for above work; however, GIPCL reserves the right to deduct any amount legally justified towards any liability not fulfilled.
8. Contractor shall indemnify GIPCL from any liabilities arising out of the employment of the manpower.
9. If the contractor fails to complete the allocated job within specified time frame, GIPCL shall get the work done by third party at the risk and cost of contractor.

11. PAYMENT OF WAGES

Contractor shall be responsible for compliance of all statutory rules, regulation, act enforced from time framed by the government such as Factory Act, Employee Compensation Act, payment of 'Wages Act', Minimum Wages Act', Provident Fund Act, Payment of Bonus Act, Labor Law Act, maternity benefit act in respect of employees engaged by him for the work and shall have to maintain necessary records. In case any amount becomes due to be payable by him to his employees or to the Government under the above rules, regulation, Acts.

12. ACCIDENT TO WORKMEN

Contractor shall be fully responsible for injury or death of any of your or third party workmen due to any act omission / indiscretion on your part while undertaking the work and contractor shall fully abide by the statutory requirements of the employee's compensation act. GIPCL shall not be liable for any compensation due to accident, death or injury to any of contractor's workmen or any third party due to negligence, act or omission on your part.

13. LIGHTING

Necessary illumination at walk way area will be provided by GIPCL. However, work specific lighting should be arranged by contractor.

14. NIGHT/SUNDAY/HOLIDAY SHIFT

The contractor shall depute qualified and adequate resources in night shift/Sunday/holidays for any emergency job, which may come up at night/Sunday/holiday.

15. SAFETY ASPECT

Contractor shall observe all the safety and security rules and regulation of the GIPCL which are at present in force and which may come into force during the pendency of the contract. Any violation of any rules and regulations will entail immediate termination of the contract.



SURAT LIGNITE POWER PLANT: Tender for replacement of “1) Re-heater link bend pipe after DESH (De superheater) in Unit-1& 4 Boilers and 2) Ash cooler coil bundle in Unit-1 Boiler” during ensuing overhauling year-2022-23.

When contractor moves his lifting tools and tackles to the plant area, required test certificates as per the Factory Act 1948 and the state factories rules has to be submitted to safety Deptt. Safety Deptt. will check the certificates and if found okay, then only materials will be allowed to enter inside the plant. Material inward gate pass will be made only after certification from Safety Deptt. Security Dept. will inform to Safety Dept., as & when such tools and tackles brought at the gate for making entry in the maintenance site. The contractor has to submit the list of required safety gears along with safety equipments available with him to safety Dept. Safety Dept will check for quantity and quality of the safety gears and then allowed permission of work. Poor quality material will not be allowed to take inside the Plant. If quantity of required safety equipments is not satisfactory, contractor will not be allowed to carry out the work using such safety gears inside the Plant for the work.

16. GENERAL SAFETY CLAUSES

1. The Contractor shall observe and comply, with regard to his workmen working at the SLPP site, the safety norms as per the safety operating standards.
2. The Contractor shall ensure that his workmen are informed and trained regarding the safety standards to be adopted while operating within the SLPP Plant & Mines premises and the Contractor shall brief them regarding the same and use of the Personal Protective Equipment ('PPE').
3. The Contractor shall issue safety shoes and safety helmet of IS standard to all his workmen immediately on execution of the work and the contractor shall ensure that his workmen wears the protective equipments at all times during the work operation. Brand name for safety shoe & safety helmet shall be suggested by safety representative of SLPP site.

Helmet :

Sr. No.	Model	Company	Specifications
01.	Tough Hat, HP-TH	Sure Safety	IS : 2925 – 1984, ANSI / ISEA Z89.1-2009
02.	V-Gard	MSA	
03.	PN 521 - Shelmet	Karam	

Safety shoes:

Sr No.	Model	Company	Specifications
01.	Acme Fabrik plast Co.	SSTEELE (Strom) – Double Density	IS : 15298 – 2011
02.	Acme Fabrik plast Co.	TRIMAX(Adjacent) Double Density	
03.	Worktoes Warren	Worktoes - Warren Plus	

4. Other safety gears like ear plug, dust mask, hand gloves, safety goggles, gum boots, full body safety uniform and belts, safety net etc. shall be issued and used as per the job requirements. Safety helmet shall be of YELLOW COLOUR ONLY. Contractor will procure safety shoes & safety helmet from a reputed company with at least 12 months' guarantee and shall produce the guarantee certificate and IS standard certificate to the



SURAT LIGNITE POWER PLANT: Tender for replacement of “1) Re-heater link bend pipe after DESH (De superheater) in Unit-1& 4 Boilers and 2) Ash cooler coil bundle in Unit-1 Boiler” during ensuing overhauling year-2022-23.

- safety department. Contractor should purchase safety shoes of reputed brands. Safety shoes will be issued every year. IS certificate and guarantee certificate must be obtained from the vendor and submitted to the Safety department. Safety shoes should be heat, water, oil and chemical resistant, having an anti-slippery sole of 15298- 2002 make.
5. It is the duty of contractor to ensure that his workmen are wearing required PPEs as per work requirement. Contractor should ensure that their workers are wearing Safety helmet, safety shoes, dust mask, goggles, ear plug etc. at all times when they are at work throughout the contract period. The contractor has to maintain the PPE issue registers with signature of workmen.
 6. Contractor will reissue these PPEs in case of damage or misplacement of the same. Replacement shall be made immediately.
 7. The contractor shall be responsible for providing first aid or emergency medical help and treatment to his workmen in the event of any accident or injury.
 8. If it is observed that contractor is not issuing required PPEs timely and that of required quality, GIPCL will issue the required PPEs to contract workers and back charge the same with 25% overhead charges of GIPCL.
 9. All lifting tools and tackles shall be duly certified by competent person in conformity with the statutory requirements and certificate in form no. 10 as per rule 60 of Gujarat Factories Rules, 1963 and section 29 of the Factories Act, 1948 shall be submitted every year before using such tools and tackles. In case of purchase of new lifting tools and tackles, form no. 10 as per the said rules shall be submitted before they are taken into use. All lifting tools and tackles shall be of reputed make having International manufacturing standard and shall be maintained in proper and workable condition.
 10. The Contractor shall nominate one Safety Officer with required qualification for supervising the daily job/ shutdown jobs for observing and maintaining the safety aspects at site. He is solely responsible for any safety measures during maintenance work. He has to ensure that all the workmen working at site are equipped with essential PPE's and proper safety arrangement is made at the SLPP site.
 11. After mobilization of any tools & tackles to site, which includes chain pulley blocks, D-shackles, wire ropes, winch machines, Mobile crane, Hydra etc. shall be offered for inspection with all above statutory test certificate before using at site for any work. They should use all tools and tackles only after certification by GIPCL representative/safety officer.
 12. When working at height, working on ceiling or roof covered with fragile materials, full body harness safety belt, ladders and crawling boards shall be used to prevent accident. Further, during working on height, contractor should arrange proper scaffolding of still pipes, safety net, full body safety belt, fall arrestor system etc. Advice and instructions of engineer in charge/ safety in charge shall be strictly complied with in this regard. All necessary safety precautions shall be taken by the contractor to prevent accident and personnel injuries while working on height.
 13. Flash back arrestors made of reputed manufacturer shall be provided on cutting torch, on DA cylinders and on O2 cylinder. Cylinder caps also required for handling the cylinders at the work at height area. Gas cylinders shall be transferred through gas cylinder trolley only with cylinder cap and stored up right (vertical) position only. All gas cylinders shall be hydro tested / certified as per gas cylinder rules 2004. Gas cylinders shall be stored, handled as per gas cylinder rules 2004.
 14. All vehicles shall be operated by licensed drivers only. All vehicles' PUC to be tested as per Government approved RTO guidelines. All Vehicles must be parked in Parking space designated by GIPCL. If any vehicle is found inside the plant premises other than the parking area such vehicles shall be handed over to Security dept. and their entry shall be cancelled for movement inside the plant premises with immediate effect.



SURAT LIGNITE POWER PLANT: Tender for replacement of “1) Re-heater link bend pipe after DESH (De superheater) in Unit-1& 4 Boilers and 2) Ash cooler coil bundle in Unit-1 Boiler” during ensuing overhauling year-2022-23.

15. All electrical equipment shall be in good condition and free from any defect. Electrical tools & equipments i.e. welding machine, grinding and drill machine etc. may be checked by the electrical engineer of the contractors regularly, every six month at least and report shall be submitted to concerned HOD and safety depts.
16. During hot work, contractor will use fire curtains like asbestos sheets or fire blankets to prevent falling and spreading of sparks and hot material on and around the work area. Contractor will procure and use such items. ELCB / RCCB shall be provided with rating of 9-30 milli amperes on welding machine and all portable power tools.
17. The contractor shall fill – up Incident notification form (S-I), Incident Investigation form (S-II) and near miss report within time limit as specified in forms, if any accident, Incident, near miss occurred while working at SLPP site.
18. Major AMC / ARC contractor (Where the man power strength is more than 50 and above) should appoint / nominate one qualified safety officer and he shall be responsible for addressing all the safety related aspects of execution of contract jobs and he will in close co ordination with safety officer of SLPP and attend all safety related meeting such as safety committee, on job safety training etc. Where the contractual man power is less than 50, the site in-charge of the contractor will act as a safety officer and he will perform all the duties of safety officer as mentioned above.
19. No loose connection / joints allowed in electrical cables during performance of any kind of job.
20. Safety shoes shall be issued to female employees also.
21. All the vehicles shall be fit as per RTO guidelines and valid fitness certificate is required as per RTO guidelines.
22. The Contractor’s nominated safety officer shall be imparted regular on-job safety training like tool-box talk etc. and submit a record of such training in safety dept, respective dept and HR&A dept. T
23. The Contractor shall comply all the new requirements related with safety as informed by the HOD / Safety department from time to time.
24. Penalty shall be imposed for Violation of safety norms is proposed as follows:-
The Contractor & Contract workmen shall strictly adhere to Safety standards / Guidelines as per practices. The list provided below is an indicative list to explain the principles behind safety practice. If the contract workmen fail to comply with safety standards as per category A, B & C below, penalty shall be levied on the contractor as per the table mentioned below:

Category	Classification	Examples / Cases	Penalty
A	PPEs Related	Working without helmet, shoes, safety belt, gloves etc.	Rs. 100/- per instant.
B	Work Instruction Related	Failure to adhere to HSE guidelines/plans, careless attitude in material handling, Machine being used with damaged machine guard, unsafe electrical work – workout plug top/improper electrical joints/cables lying on ground, electrical equipment working without proper earthing, machine being used without machine guard, Welding machine without incidence ELCB / RCCB of proper rating, Gas cylinder without test certificate, Cylinder cap,	<ul style="list-style-type: none"> • Rs. 500/- per instant • After three incidence. Per incidence Rs. 2500/-. • Continuous unsafe acts will disqualify the contractor from further participation in tender



SURAT LIGNITE POWER PLANT: Tender for replacement of “1) Re-heater link bend pipe after DESH (De superheater) in Unit-1& 4 Boilers and 2) Ash cooler coil bundle in Unit-1 Boiler” during ensuing overhauling year-2022-23.

		NRV /Flash back arrester, Cylinder trolley etc.	of /contract with GIPCL.
		Unsafe working practices at height more than 3 Meters.	
		Working without permit non-compliance with permit conditions like hot work, height work etc. as applicable, lifting tools and tackles being used without third party inspection certificates in form no. 9/ 10 as per Factory Act - 1948 etc.	
C	Unsafe Practices	Breach of safe practices by a particular person repeatedly for three times.	<ul style="list-style-type: none"> • Suspend the entry gate pass for one week. • After two suspensions his gat pass will be cancelled

Penalty so levied against the contractors and company employees will be used during the observation of National Safety Day.

The contractor, workmen following good safety practices in their work area continuously will be rewarded / honored on National safety day.

17. REJECTION OF WORK:

If, as a result of inspection, examination or testing, the GIPCL’s Representative/Engineer decides that any materials, work or workmanship is defective or otherwise not in accordance with the Contract, the GIPCL/Engineer/ GIPCL’s Representative may reject such plant, materials, work or workmanship and shall notify the CONTRACTOR promptly, stating his reasons. The CONTRACTOR shall then promptly make good the defect and ensure that the rejected item complies with the Contract. If Contractor failed to rectify the rejected work or workmanship, GIPCL/Engineer reserves the right to deduct or withhold amount against rejected work or Workmanship. CONTRACTOR shall not entitle for any claim or release of hold payment until rectify the defect up to satisfactory of GIPCL. If Contractor failed to rectify any such defective work or workmanship, GIPCL reserve the right to rectify at risk and cost of the CONTRACTOR and deducted by the GIPCL from any amount due, or to become due, to the CONTRACTOR’s dues.

If the GIPCL/Engineer/GIPCL’s Representative requires such materials, work or workmanship shall be retested, the tests shall be repeated under the same terms and conditions. If such rejection and retesting cause the GIPCL additional costs for the traveling and lodging costs of GIPCL/Engineer’s personal for attending the retest, such costs shall be recoverable from the CONTRACTOR by the GIPCL and may be deducted by the GIPCL from any amount due, or to become due, to the CONTRACTOR.

18. GENERAL TERMS AND CONDITIONS:

- a. All tools & tackles, labors, equipments, vehicles, tractors, etc... to execute the contract are in the scope of the contractor. The contractor should ensure that tools& equipments are in healthy condition.
- b. The decision of the Engineer-in-charge shall be final and binding on the contractor for defining the terms and condition included in this contract.



SURAT LIGNITE POWER PLANT: Tender for replacement of **“1) Re-heater link bend pipe after DESH (De superheater) in Unit-1& 4 Boilers and 2) Ash cooler coil bundle in Unit-1 Boiler”** during ensuing overhauling year-2022-23.

- c. If the work is not found satisfactory, Engineer-in-charge reserves the right to take suitable action.
- d. Contractor shall depute Location/Package wise full time independent experienced site-in-charge and two nos. of independent site supervisors at site (Defined by user department in respective tender). They shall co-ordinate with GIPCL engineer and shall bear overall responsibility of contract including joint measurement, billing etc. Such person shall function from site office of contractor at SLPP.
- e. Contractor shall also nominate one safety supervisor at site and shall submit nomination of safety supervisor in writing before commencement of contract. Safety supervisor shall arrange small safety talk on every day morning or whenever required with all workers working under this contract. He shall coordinate with concern department's Engineer-in-charge on daily basis and report daily observations, tool-box talk records etc. The work shall not be allowed without deploying safety supervisor and a penalty equal to Rs. 1,000/- per day absent of safety supervisor shall be levied from Contractor.
- f. Contractor shall strictly follow the existing work permit system of the GIPCL and any future revisions.
- g. The contractor has to take EC insurance policy for their workmen. The contractor has to submit labor license and PF account number to the Engineer-in-charge before start the work.
- h. The contractor has to do the job timely. GIPCL shall not compromise in delay. In case of delay of work without any valid reason, the GIPCL reserves the rights to carry out the work by deploying other agencies at the risk & cost of contractor with additional 10% overhead charges.
- i. Contractor shall mobilize the resources as per need within the period of twenty four hours. If the contractor fails to mobilize sufficient resources to complete the job in time, GIPCL will execute the job through other agency at the risk and cost of the contractor with additional 10% overhead charges.
- j. Contractor should mobilize all resources for efficient & smooth execution of contract immediately from the date of issue of Letter of Intent/Work Order.
- k. The prices / item rates quoted shall remain firm till completion of the contract and any agreed extensions thereafter and shall not be subject to any escalation, idle charges for labor, machinery, overhead expenses etc... due to any reason whatsoever. No price escalation / idle charges shall be entertained due to delay in work on unavailability of work front, non-issue of work permit, holding of work permit for any reason, unavailability of contractor's supervisor, unavailability of contractor's safety supervisor, violation of safety rules, unsafe act by any of contractor's worker, negligence & ignorance of safety & quality instructions of GIPCL Engineer-in-charge or any other reason whatsoever.
- l. Contractor must fulfill all the safety regulations and to take safety measures to avoid hazards. Contractor shall arrange all standard adequate healthy safety PPEs like but not limited to approved quality safety shoes& safety helmets, standard dust masks, safety goggles, etc... as required and shall use exclusively under this contract for all the time during working at specified locations failing which, the Engineer-in-charge may hold the work and will take necessary action including penalty as decided. If the contractor repeatedly violates safety rules/regulations (more than three successive incidents), Engineer-in-charge may take necessary action against the contractor, including appropriate financial penalty) and/or termination of contract.
- m. One or more jobs may be required to be done simultaneously and contractor shall mobilize additional resources accordingly.
- n. Timely completion of all jobs and works shall be the essence of this Contract. Contractor should closely monitor each activities and complete the jobs as per the time given by and under the supervision of the Engineer-In-charge and shall ensure that sufficient manpower is deployed for the same.



SURAT LIGNITE POWER PLANT: Tender for replacement of “1) Re-heater link bend pipe after DESH (De superheater) in Unit-1& 4 Boilers and 2) Ash cooler coil bundle in Unit-1 Boiler” during ensuing overhauling year-2022-23.

- o. The contractor has to complete the works as per the planning schedule and their respective supervisor has to interact with Engineer In Charge for PTW (Permit to work), work instruction, Return of permit.
- p. The contractor has to submit daily reports showing work carried out with details of available manpower, tractors etc.
- q. Any job other than the listed jobs in work order shall be executed by the contractor on instruction from GIPCL and payment shall be made to the contractor on respective item rate only.
- r. The Government of India has enacted the Micro, Small and Medium Enterprises Development Act, 2006 (the “Act”) and the Act has come into force from October 2, 2006. The Bidder shall confirm whether your organization is registered under the Micro, Small and Medium Enterprises Development Act, 2006. If your organization is registered under the Act, please specify the category i.e., Micro Enterprise, Small Enterprise or Medium Enterprise under which it is registered and kindly attach a copy of your registration certificate.
- s. The Bidder shall provide details of registration along with copy of the registration certificate issued by the District Industries Centre/Department of Industries, etc of the respective State Government. It is to be noted that large scale industries and trading firms have been excluded from the purview of the Act.
- t. GIPCL is an ISO 9001, ISO 14001, OHSAS 18001 & ISO 50001:2011 (EnMS) certified company, and GIPCL gives extreme importance to maintain these global standards. Contractor shall be required to observe these standards while working with GIPCL. Contractor should ensure that his workmen/labour work in accordance with them.

19. CONTRACTOR’S SUPERVISION

The contractor shall, during the whole time the work is in progress, employ a qualified experienced site-in-charge of the works with adequate experience in handing of jobs of this nature and with the prior approval of the GIPCL / ENGINEER. Such in-charge shall be constantly in attendance at the site during working hours. During CONTRACTOR’S supervisory engineer absence during working hours, if unavoidable, and also beyond working hours, when it may be necessary to give directions, orders may be given by the ENGINEER / GIPCL and shall be received and obeyed by the CONTRACTOR’S superintendent or Foreman who may have charge of the particular part of the work in reference to which orders are given. If requested to do so, the ENGINEER /GIPCL shall confirm such orders in writing. Any directions, instructions or notices given by the ENGINEER / GIPCL to him, shall be deemed to have been given to the CONTRACTOR. The representative of the CONTRACTOR shall have all necessary powers to receive materials from the GIPCL, issue valid receipts for the same, engage labour or purchase materials and proceed with the work as required for speedy execution.

None of the CONTRACTOR’S Superintendents, engineers, supervisors or labour should be withdrawn from the work without due notice being given to the GIPCL / ENGINEER; further no such withdrawals shall be made if in the opinion of the GIPCL / ENGINEER such withdrawals will jeopardize the required pace of progress / successful completion of the work.

The CONTRACTOR shall employ in or about execution of the work only such persons as area careful, skilled and experienced in their respective trades, and the GIPCL shall be at liberty to object to and require the CONTRACTOR to remove any person employed by the CONTRACTOR in or about execution of works who in the opinion of the ENGINEER misconducts himself or is incompetent or negligent in the proper performance of his duties



SURAT LIGNITE POWER PLANT: Tender for replacement of “1) Re-heater link bend pipe after DESH (De superheater) in Unit-1& 4 Boilers and 2) Ash cooler coil bundle in Unit-1 Boiler” during ensuing overhauling year-2022-23.

and all such persons shall not again be employed upon the works without the prior permission of the GIPCL.

Neither the CONTRACTOR and the PURCHASER nor the ENGINEER shall hire or employ any employee of the other party except by mutual consent.

20. CONTRACTOR TO REMOVE ALL OFFENSIVE MATTER IMMEDIATELY AND CLEAN-UP.

All loose materials, wastage, packing materials, cut pieces or other matter of an offensive nature shall not be deposited on the surface, but shall at once be carted away by the CONTRACTOR to some pit or place provided by him away from the site of work and approved by local authorities.

As a part of the work included in this contract, the CONTRACTOR shall completely remove and satisfactorily dispose of all temporary works to the extent directed. He shall tear down and dispose of all temporary works, shall remove or grade, to the extent directed, all plant and equipment, shall satisfactorily dispose off all rubbish resulting from the operations under this contract and shall do all work necessary to restore the territory embraced within the site of his operations to at least as good order and conditions as at the beginning of the work under this contract.

21. FACILITIES TO BE PROVIDED BY GIPCL

A. The Company shall provide the following facilities to the Contractor at the site:

- a. Electricity & water at nearest available one point. Further distribution to be done by contractor at their cost.
- b. Quarter(s) for supervisor/ engineers on chargeable basis in GIPCL's township Narmada guest house at discretion of GIPCL if available.
- c. Industrial Canteen facility on chargeable basis for workmen.
- d. Workshop facility as available at site only. However contractor may visit the workshop to ensure the existing facility. For the facilities other than available, contractor has to carry out the job outside at their own cost.
- e. First aid facilities as available on chargeable basis.
- f. If required Hydra (crane) for material loading/unloading/ shifting purpose on chargeable basis as per availability of Hydra (crane).

Apart from the above, no other facilities shall be provided by GIPCL.

B. GIPCL shall also conduct an orientation program appraising the workmen regarding Safety norms and measures shall be observed during work operations at the plant site.

22. WORK MEASUREMENT/CERTIFICATION

- a. The work to be performed being of a specialized nature, the contractor should be fully conversant with modern practices and should be able to carry out works independently of large thermal power plant. The contractor shall therefore be required to engage qualified/ experienced personnel to undertake the work as per specifications and requirement.
- b. Contractor should maintain one computer with printer for keeping daily records and maintain the data.
- c. All the work measurements shall be jointly recorded in a measurement sheet/register/relevant documents by the contractor / authorized representative of the contractor and the Engineer-in-charge. The measurements shall be clearly written indicating date of measurement, location, reference to drawings, if any, and jointly signed.



SURAT LIGNITE POWER PLANT: Tender for replacement of “1) Re-heater link bend pipe after DESH (De superheater) in Unit-1& 4 Boilers and 2) Ash cooler coil bundle in Unit-1 Boiler” during ensuing overhauling year-2022-23.

- d. The Contractor shall be required to furnish satisfactory job completion report to GIPCL. The submission of report should be on daily basis, the monthly bill payment shall be released based on the certified reports of the works.
- e. Inspection of work will be done by Engineer in Charge or his authorized representative. If the work is not found satisfactory engineer in charge reserves the right to take suitable action and shall be binding to the contractor.

23. PUBLIC HOLIDAYS

The Contractor shall be responsible for giving benefit to all his employees, employed in whatsoever capacity, 09 Public/Paid holidays and the same shall be notified in advance and due communication thereof shall be made to the Management.

24. BENEFIT PAYABLE IN CASE OF ACCIDENT OCCURRING OUTSIDE PREMISES OR BEYOND THE COURSE OF EMPLOYMENT

The Contractor shall provide an insurance coverage (Medical + Death Benefit) for sum of Rs. 01/-Lakh to all his workmen/labour deployed at GIPCL-SLPP site for the accident taking place anywhere outside the Company premises or at any place when the workman is not in course of his employment.

25. FORCE MAJEURE

The performance of the obligations herein contemplated may be suspended without incurring the penalty in the event of the subsistence of Force Majeure conditions.

If a Force Majeure situation arises, the affected Party shall promptly notify the other Party in writing of such conditions and the performance shall be suspended as per mutual agreement.

For the purposes of this clause, 'Force Majeure' means an event beyond the control of the Party and not foreseeable by the Party and shall include events of floods, explosions, riots, wars, hurricane, epidemics, any other Act of God, quarantine restrictions, terrorism, government actions and provided always that such acts result in the impossibility of the further performance of the contract.

26. INDEMNITY

The Contractor shall indemnify and keep harmless GIPCL from and against all actions, proceedings, claims, demands, losses, costs, damages and expenses whatsoever which may be brought against or suffered by GIPCL which it may sustain, pay or incur as a result of or in connection with the performance/ purported performance/ non-performance of the contract by the Contractor.

In case, in any litigation pertaining to labour employed through contractor if any direction or order is issued by court at any point of time the contractor shall comply with and implement such direction or order whether passed at the time of award of contract or during the pendency of contract. Further, the Contractor shall indemnify the GIPCL against all consequences arising and affecting GIPCL owing to the compliance of the orders by the Contractor.

27. GOVERNING LAW AND JURISDICTION

This tender document and contract shall be governed by the laws of India and the Courts at Baroda/Surat shall have jurisdiction regarding the same.

28. COVID-19

Contractor has to strictly follow the GIPCL Guideline for COVID-19 and Government policy time to time.



SURAT LIGNITE POWER PLANT: Tender for replacement of “1) Re-heater link bend pipe after DESH (De superheater) in Unit-1& 4 Boilers and 2) Ash cooler coil bundle in Unit-1 Boiler” during ensuing overhauling year-2022-23.

SECTION-D **SPECIAL CONDITIONS OF CONTRACT**

1. DETAIL SCOPE OF WORK

As per Section- A Clause – 02 Detail Scope of work.

2. FAILURE DURING EMERGENCY

During any emergencies, contractor shall have to carry out the work by deploying additional force within twenty four hours notice period failing which GIPCL reserves the right to carry out this work by engaging other contractor. The expenditure occurred due to such situations, the Contractor will be held responsible & the same will be recovered from the Contractor's monthly bill / any other pending bills along with 10% of contract value as overhead charges. For repetitive failure of such work for more than two incidents, GIPCL reserve the right to terminate the entire contract by forfeiting all pending dues, Security Deposit & other retention money, if any, after giving 15 days notice to the contractor & this will be binding to the contractor.

3. SCOPE OF CONTRACTOR

1. All tools & tackles, Hydra, Crane, tractors & trailer, required vehicles to execute the contract will be in the scope of the contractor. The contractor should ensure for healthiness/working conditions of tools, tackles & vehicles etc.
2. All consumable items like cloth, cotton waste, kerosene, gas, diesel, lubricants, etc will be in the scope of the contractor.
3. All safety/PPEs required during work at site are to be arranged by the contractor.
4. The Contractor shall have to provide necessary facilities including accommodation for their labor at their own cost.
5. The contractor has to arrange all equipment, vehicles, machinery etc. for lifting/shifting the materials of their own.
6. Contractor has to depute their full time experienced overall site-in-charge & independent Location/Package wise supervisors for work execution as per specification and for day to day work planning & coordination with respective department's Engineer-in-charge, to obtain day to day Location/Package wise work permits, to get daily location wise work supervision, to record Location/Package wise joint work done reports/measurements/trip certification, to prepare Location/Package wise separate bills, to prepare & apply Location/Package wise manpower gate pass, to maintain Location/Package wise statutory & legal compliance records, etc...

4. TO REMEDY DEFECTIVE WORK

If the work or any portion thereof shall be damaged in any way excepting by the acts of the GIPCL, or if defects not readily detected by proper inspection shall develop before the final completion and acceptance of the whole work, the CONTRACTOR shall forthwith make good, without compensation, such damage or defects in a manner satisfactory to the ENGINEER / GIPCL. In no case shall defective or imperfect work be retained even if contractor followed all technical specifications. GIPCL will not compromise for quality of materials, works & workmanship.

The CONTRACTOR shall remain liable under the provisions of this clause notwithstanding the passing by the GIPCL of any certificate, final or otherwise or the passing of any accounts.



SURAT LIGNITE POWER PLANT: Tender for replacement of “1) Re-heater link bend pipe after DESH (De superheater) in Unit-1& 4 Boilers and 2) Ash cooler coil bundle in Unit-1 Boiler” during ensuing overhauling year-2022-23.

5. DAILY DIARY AND PROGRESS REPORT :

A daily diary register will be kept in the ENGINEER'S office. The CONTRACTOR will supply all detailed information every day at 9:00 hours for the day preceding and the diary will be jointly signed by the ENGINEER and the CONTRACTOR'S representatives, every day in token of its correctness. A works instruction book, serially numbered will also be kept in the ENGINEER'S office and all day to day instructions will be given in that book. The CONTRACTOR'S representative shall report every day to see these instructions and sign them at the bottom in token of his having seen them.

The CONTRACTOR shall provide all information regarding procurement of materials and progress of work, as is required by the ENGINEER for compiling the weekly progress reports. This information shall be provided by contractor at 9:00 hours every Monday, for the preceding week.

6. PRICE & RATES

The rates quoted by the Bidder in the online Price Bid shall be inclusive of cost of all labor, supervision, cost of safety supervisor, shifting, transportation, loading, unloading, equipment, all tools & tackles, safety equipments & PPEs, Royalties, Rents, GST, Stamp Duties, Central or State Government or Local body or Municipal Taxes or Duties, Turn over Tax, Work Contract Tax, and / or any other duty / tax, levied by the Central, State Government or other Public bodies etc...and such other costs that are not specifically mentioned herein but will be incurred by the contractor for the satisfactory and timely completion of the work. The quoted rates shall be deemed to include for everything mentioned in the specification, all leads & lifts, contractor's overheads & profits for due performance of the work under this contract and such other costs that are not specifically mentioned herein but will be incurred by the contractor for the satisfactory and timely completion of the work. The rates shall also include cost for mobilization / demobilization of manpower, equipments, materials, etc...

The rates shall be firm for entire contract period and also during extension, if required and shall not be subject to any escalation in prices, idle charges for labor, machinery, overhead expenses etc. No price escalation / idle charges shall be due to any reason whatsoever.

The prices / item rates quoted by Bidder shall remain firm till completion of the contract period and any agreed extensions thereafter and shall not be subject to any other escalation, idle charges for labor, machinery, overhead expenses etc. No price escalation / idle charges shall be payable due to delay in work by contractor or due to non-availability of work front by GIPCL or any reason whatsoever.

The price/rate quoted by CONTRACTOR shall be considering mobilization of all required manpower, tools & tackles, materials, equipment for timely and satisfactory completion of all scope of work.

The value and/or quantum of work may be increased or decreased depending upon day to day requirement. However, item rates remains unchanged and the payment shall be made as per the actual quantity executed as informed & certified by GIPCL representatives.



SURAT LIGNITE POWER PLANT: Tender for replacement of “1) Re-heater link bend pipe after DESH (De superheater) in Unit-1& 4 Boilers and 2) Ash cooler coil bundle in Unit-1 Boiler” during ensuing overhauling year-2022-23.

7. TERMS OF PAYMENT

A. Conditions of Payment:

The contractor shall raise the invoice in duplicate after completion of work along with protocol of work executed. On receipt of the invoice complete in all respects and with all the said documents, the payment in respect of the same shall be **made within 21 days of** such receipt of a complete invoice as per the following terms of payment –

- i. 90% payment with Taxes shall be released against work executed duly certified by GIPCL as per scope of work mentioned for Unit-1 & 4 Boiler. (i.e. In Unit-1: after Replacement of Reheater Bend Pipe and Ash cooler coil with insulation work, site cleaning, Scrap removal and completion of all work duly certified GIPCL E-I-C and In Unit-4 after Replacement of Reheater Bend Pipe with insulation work, site cleaning, Scrap removal and completion of all work etc.)
- ii. 10% Payment after one (01) month of respective Boiler commissioning (i.e Unit-1 Boiler and Unit-4 Boiler).
- iii. Security deposit at 10% of Annual contract value excluding taxes & duties shall be submitted as per clause no.: 1 of Section-C.
- iv. Income Tax (IT) will be deducted at source from each invoice as per the rules in force.
- v. Payment shall be made on actual quantity executed.
- vi. GST shall be paid along with bills after fulfillment of following terms.
 - (a) Submission of copy of registration certificate issued by GST Authority (to be furnished only once).
 - (b) Citing the Goods and service Tax Registration no. And the date of issue of registration certificate on invoices.
 - (c) Claim of GST amount with percentage (%) separately shown on the invoices.
 - (d) The contractor shall be required to submit the proof of payment of GST of previous month/quarter, as may be applicable as & when demanded by GIPCL/Owner/company.
 - (e) The Bidder shall inform the GIPCL in the event of its registration certificate is cancelled or discontinued for whatsoever reason.

B. Validity and Uniformity of Rates

The rates shall be valid for a period of **the Contract Period** and shall remain unaltered during the entire Contract Period.

8. SUBMISSION OF TECHNICAL DOCUMENTS TO THE ENGR-IN-CHARGE

Contractor shall submit following documents to the Engineer-in-charge for verification purpose of the bill:-

- (i) Measurement sheet along with joint record of work done in the form of joint inspection report duly signed by authorized representative of contractor and GIPCL Engineer.
- (ii) Records of NDT and Pre & post heat treatment of weld joints.

The bill will not be entertained without submission of above documents.

9. SUBMISSION OF STATUTORY COMPLIANCES WITH EACH BILL

Contractor shall submit bill of work carried out along with following documents.

- (i) Copy of statutory compliance like labour license, wages payment register, EC Policy, PF paid Challan with ECR, etc... along wage certificate pertaining to respective bill period.
- (ii) Notarized Indemnity Bond as per Performa, in case of Final bill.



SURAT LIGNITE POWER PLANT: Tender for replacement of “1) Re-heater link bend pipe after DESH (De superheater) in Unit-1& 4 Boilers and 2) Ash cooler coil bundle in Unit-1 Boiler” during ensuing overhauling year-2022-23.

(iii) No claim - No arbitration certificate as per Performa, after releasing final bill payment.

Bill submitted without any of the above documents shall not be processed for payment.

10. MOBILIZATION AND EXECUTION

- a) Contractor shall mobilize the resources at site immediately from the time intimation given by GIPCL.
- b) Contractor shall provide required separate & independent site supervisors who will be responsible for supervision and execution of job in specified time with respect to quality, specifications, site preparations, safety, coordination with GIPCL, issue of work permits, joint measurements, etc... The supervisors shall coordinate with the Engineer-in-charge of GIPCL for proper execution of the job.
- c) The resources required for execution of above jobs will vary from time to time, hence contractor shall mobilize the resources accordingly.
- d) Contractor shall provide accommodation for the persons deployed by him for the work at his own cost.

11. QUANTITY OF WORK

The estimated quantities of work required to be carried out by the contractor are as given in the Section-E (Schedule of Quantity/Price schedule) and shall vary according to the exigencies of work at site. However, the rates quoted by Bidder shall remain firm irrespective of any variation in estimated quantities. Contractors shall engage required nos. of labors along with required tools & tackles as per work load and emergency situations throughout the contract period to perform his contractual duties.

In case, contract quantity/amount exhausted before completion of contract period, GIPCL reserve the rights to increase the quantities or contract amount for successful completion of entire contract period. Contractor shall responsible to complete the particular job up to entire satisfaction of Engineer-in-charge. The item rates remain firm & unchanged till completion of the contract and any agreed extensions thereafter and shall not be subject to any escalation, idle charges for labor, machinery, overhead expenses etc... for any reason whatsoever. The quantum of work of individual item may be up to any extent depending upon requirement. However, item rate remains unchanged. Under this contract, contractor has to execute all work as per the Plant requirement.

12. GENERAL CONDITIONS OF CONTRACT

General Conditions of Contract (Section-C) and detail specification prepared by the company will be applicable for this contract. The same is enclosed herewith. Bidders are advised to go through the same.

Where any portion of the general conditions of contract is repugnant to or at variance with any provisions of the special conditions of contract, then unless a different intention appears, the provision of the special conditions of contract shall prevail to the extent of such repugnancy of variance.



SURAT LIGNITE POWER PLANT: Tender for replacement of “1) Re-heater link bend pipe after DESH (De superheater) in Unit-1& 4 Boilers and 2) Ash cooler coil bundle in Unit-1 Boiler” during ensuing overhauling year-2022-23.

SECTION – E

PRICE SCHEDULE

Surat Lignite power Plant- 4 X 125MW, Unit-1 to 4:

Tender for replacement of “1) Re-heater link bend pipe after DESH (De superheater) in Unit-1& 4 Boilers and 2) Ash cooler coil bundle in Unit-1 Boiler” during ensuing overhauling year-2022-23.

Sr. No.	Work Description	Quantity	Unit	Rate per Unit	Total Amount
				(Rs.)	(Rs.)
1	Replacement of RH link Bend pipe after DESH in Unit-1 & 4 Boiler	2	Nos.	5,57,759.63	11,15,519.26
2	Replacement of Ash cooler coil assembly in Unit-1 Boiler	1	Nos.	3,81,392.91	3,81,392.91
3	Total Estimated value excluding GST				14,96,912.17
4	GST @18%				2,69,444.19
5	Grand Total				17,66,356.36

Note: Total Amount includes all labour cost, equipments, supervision, consumables, tools, tackles, all taxes & duties (Including GST).

My rates are as under.

At estimated value

OR ___ %age above the estimated value

OR ___ %age below the estimated value.

Note:

1. Value of Work displayed on (n)Procure is with GST@18%. Price Bid shall be submitted **online** only in through (n)Procure portal (www.nprocure.com).

Note: Estimated rates includes cost of all manpower, equipments, vehicles, consumables, tools & tackles, transportation, safety & statutory compliances, mobilization, contingency expenditure and supervision charges etc.

2. GST shall be paid extra at actual as per prevailing rates as declared by Central Government on submission of documentary evidence. GST shall be quoted separately if applicable.
3. Payment shall be made on actual quantity executed.
4. The Bidder shall fill the bid documents with utmost care in consonance with the instructions contained in the bid documents.



SURAT LIGNITE POWER PLANT: Tender for replacement of “1) Re-heater link bend pipe after DESH (De superheater) in Unit-1& 4 Boilers and 2) Ash cooler coil bundle in Unit-1 Boiler” during ensuing overhauling year-2022-23.

5. The prices quoted are firm throughout the contract period and will not subject to any variation whatsoever.
6. Price quoted by the bidder covers complete scope of work and the requirement of tender terms & conditions.
7. All the miscellaneous activities pertaining to specific work to be executed for satisfactory performance are in the scope of contractor in his quoted rates.

COMPANY SEAL

SIGNATURE

NAME

DESIGNATION

COMPANY

DATE



SURAT LIGNITE POWER PLANT: Tender for replacement of “1) Re-heater link bend pipe after DESH (De superheater) in Unit-1& 4 Boilers and 2) Ash cooler coil bundle in Unit-1 Boiler” during ensuing overhauling year-2022-23.

SECTION – F
ANNEXURE-A

PROFORMA FOR CONTRACT SECURITY-CUM-PERFORMANCE GUARANTEE BY SELLER / CONTRACTOR.

(To be executed on non-judicial stamped paper of approximate value)

B.G. No. -----

Date: -----

1. WHEREAS Gujarat Industries Power Company Limited having its office at PO: Ranoli, Dist. Vadodara – 391 350, Gujarat State, India (hereinafter referred to as “The Company/Owner” with its expressions shall unless repugnant to the subject or context includes its legal representatives, successors and assigns) has entered into a contract with M/s. / has placed a purchase order on M/s.....(hereinafter referred to as “Contractor(s)/ Seller(s)” which expression shall unless repugnant to the subject or context includes their legal representatives, successors and assigns) foron the terms and conditions as set out inter alia, in the Company’s contract No./ P.O.No.....dateand various documents forming part thereof hereinafter referred to as the “said contract” which expression include all amendments, modifications and/ or variations thereto and where as the Contractor(s)/ Seller(s) has agreed for due execution of the entire contract and guarantees its performance including any parts executed through any other agencies/ subcontractors

AND WHEREAS one of the conditions of the “said contract” is that “contractor(s)/seller(s) shall furnish to the owner a Bank Guarantee from a bank for....% (.....percent) of the total value of the “said contract” against due and faithful performance of the “said contract” including performance guarantee obligations of the contractor(s)/seller(s) for execution/ supplies made under the “said contract.”

2. WeBank having its branch office atdo hereby agree and undertake to pay the amount due and payable under this guarantee without any demur merely on a demand from the Company stating that in the opinion of the Company, which is final & binding, the amount claimed is due by reason of default made by the Contractor(s)/ Seller(s) in performing any of the terms & conditions of the said Contract including defect liability obligations, in fulfilling the performance guarantee obligation or loss or damage caused to or would be caused to or suffered by the Company by reason of any breach by the said Contractor (s)/ Seller(s) of any of the terms & conditions of the contract. Any such demand made on the Bank by the owner shall be conclusive as regards the amount due and payable by the Bank under this guarantee. However our liability under this guarantee shall be restricted to Rs.(Rupees.....only).

3. We undertake to pay to the Company any money so demanded notwithstanding any dispute or disputes raised by the contractor(s)/ Seller(s) in any suit or proceeding pending before any office, court or tribunal relating thereto our liability under this present guarantee being absolute and unequivocal. The payment so made by us under this bond shall be a valid discharge of our liability for payment there under. Our liability to pay is not dependent or conditional on the owner proceeding against the Contractor(s)/ Seller(s).

4. The guarantee herein contained shall not be determined or affected or suspended by the liquidation or winding up, dissolution or change of constitution or insolvency of the said



SURAT LIGNITE POWER PLANT: Tender for replacement of “1) Re-heater link bend pipe after DESH (De superheater) in Unit-1& 4 Boilers and 2) Ash cooler coil bundle in Unit-1 Boiler” during ensuing overhauling year-2022-23.

Contractor(s)/ Seller(s) but shall in all respect and for all purposes be binding and operative until payment of all money due or liabilities under the said contract(s)/ Order(s) are fulfilled.

5. This guarantee will remain valid up _____ days or _____ whichever is earlier. The Bank undertakes not to revoke this guarantee during its currency without previous consent of the OWNER/PURCHASER and further agrees that if this guarantee is extended for a period as mutually agreed between bidder & owner/purchaser, the guarantee shall be valid for a period so extended provided that a written request for such extension is received before the expiry of validity of guarantee.

6. WeBank further agree with the Company that the company shall have the fullest liberty without our consent and without affecting in any manner our obligations hereunder to vary any of the terms and conditions of the said Contract(s)/ Order(s) or to extend the time of performance by the said Contractor(s) Seller(s) from time to time or to postpone for any time or from time to time any of the powers exercisable by the Company against the said Contractor(s)/ Seller(s) and to forbear or enforce any of the terms and conditions relating to the said Contract(s)/ Order(s) and we shall not be relieved from our liability by reason of any such variation, or extension being granted to the said Contractor (s) / Seller(s) or for any forbearance, act or omission on the part of the Company or any indulgence by the Company to the said Contractor(s)/ Seller(s) or by any such matter or thing whatsoever which under the law relating to sureties would, but for this provision, have affect of so relieving us.

7. Notwithstanding anything contained herein before, our liability shall not exceed Rs.....(Rupees.....only) and shall remain in force till.....Unless a demand or claim under this Guarantee is made on us within three months from the date of expiry we shall be discharged from all the liabilities under this guarantee.

Date.....
Corporate Seal of the Bank

.....Bank

By its constitutional Attorney
Signature of duly Authorized person
On behalf of the Bank
With Seal & Signature code



SURAT LIGNITE POWER PLANT: Tender for replacement of “1) Re-heater link bend pipe after DESH (De superheater) in Unit-1& 4 Boilers and 2) Ash cooler coil bundle in Unit-1 Boiler” during ensuing overhauling year-2022-23.

ANNEXURE-B

PROFORMA FOR BANK GUARANTEE FOR EARNEST MONEY DEPOSIT

(To be executed on non-judicial stamped paper of appropriate value)

B. G. No.-----

Date: -----

1. WHEREAS M/s.Gujarat Industries Power Company Limited having its Corporate Office at PO: Ranoli, Dist.Vadodara – 391 350, Gujarat State, India (hereinafter called “The Company Owner” which expression shall unless repugnant to the subject or context includes its legal representatives, successors and assigns) has issued tender paper vide its Tender No.....for ----- (hereinafter called “the said tender”)to M/s.....(hereinafter called the said Tenderer(s)” which expression shall unless repugnant to the subject or context includes their legal representatives, successors and assigns and as per terms and conditions of the said tender, the tenderer shall submit a Bank guarantee for Rs..... (Rupees.....only) towards earnest money in lieu of cash.

2. WeBank having its branch office at do hereby undertake to pay the amount due and payable under this guarantee without any demur, merely on a demand from the Company stating that in the opinion of the company which is final and binding, the amount claimed is due because of any withdrawal of the tender or any material alteration to the tender after the opening of the tender by way of any loss or damage caused to or would be caused or suffered by the Company by reason of any breach by the said tenderer(s) of any of the terms and conditions contained in the said tender or failure to accept the letter of Intent Agreement or that the amount covered under this Guarantee is forfeited. Any such demand made on the Bank by the owner shall be conclusive as regards the amount due and payable by the Bank under this guarantee, However, our liability under this guarantee shall be restricted to an amount not exceeding Rs.....(Rupees.....only).

3. We undertake to pay to the Company any money so demanded notwithstanding any dispute or disputes raised by the tenderer (s) in any suit or proceeding pending before any office, court or tribunal relating thereto our liability under this present guarantee being absolute and unequivocal. The payment so made by us under this bond shall be a valid discharge of our liability for payment there under. Our liability to pay is not dependent or conditional on the owner proceeding against the tenderer.

4. The guarantee herein contained shall not be determined or affected or suspended by the liquidation or winding up, dissolution or change of constitution or insolvency of the said tenderer(s) but shall in all respect and for all purposes be binding and operative until payment of all money due or liabilities under the said contract(s)/ Order(s) are fulfilled.

5. WeBank Ltd. further agree that the guarantee herein contained shall remain in full force and effect during the period that would be taken for the finalization of the said tender and that it shall continue to be enforceable till the said tender is finally decided and order placed on the successful tenderer(s) and or till all the dues of the company under or by virtue of the said tender have been fully paid and its claims satisfied or discharged or till a duly authorized officer of the company certifies that the terms and conditions of the said tender have been fully and properly carried out by the said tenderer (s) and accordingly discharges the guarantee.



SURAT LIGNITE POWER PLANT: Tender for replacement of “1) Re-heater link bend pipe after DESH (De superheater) in Unit-1& 4 Boilers and 2) Ash cooler coil bundle in Unit-1 Boiler” during ensuing overhauling year-2022-23.

6. That the Owner Company will have full liberty without reference to us and without affecting this guarantee to postpone for any time or from time to time the exercise of any of the power of the owner under the tender.

7. Notwithstanding anything contained herein before, our liability shall not exceed Rs..... (Rupees.....only) and shall remain in force till..... (Date to be filled up shall be 180 days from the date of submission of Bid).

Date.....

..... Bank
Corporate Seal of the Bank By its
constitutional Attorney
Signature of duly Authorized person
On behalf of the Bank
With Seal & Signature code



SURAT LIGNITE POWER PLANT: Tender for replacement of “1) Re-heater link bend pipe after DESH (De superheater) in Unit-1& 4 Boilers and 2) Ash cooler coil bundle in Unit-1 Boiler” during ensuing overhauling year-2022-23.

ANNEXURE-C

PERFORMA CERTIFICATE

(No claim, No arbitration)

To,
General Manager (SLPP)
Gujarat Industries Power Company Limited,
Surat Lignite Power Plant,
Village: Nani Naroli, Ta. Mangrol,
Dist. Surat – 394110 (Gujarat).

Dear Sir,

Subject: _____

Ref: Work Order

No.: _____ Dated _____

We hereby confirm with free consent as under:-

1. The measurements certified in final bill are full and final. We accept all the certified measurements and no claim related to the measurement is left.
2. The payment certified in that or above referred Lol / contract is full and final. We accept this, and no claim related to payment is left.
3. The rates of the Lol / contract and its amendments are firm till completion of contract and extension period. We shall not claim any escalation against these rates.
4. Along with the contract referred, the ARBITRATION CLAUSE also perishes i.e. we will not resort to arbitration.
5. No extra items are left to be settled.
6. We do not have any claims against any item related to the Lol than those items certified in the bills.
7. We are accepting the recoveries or hold amount from our bills, if any, made by GIPCL against non compliance or as decided by GIPCL within terms & conditions of contract.
8. We have paid royalties, taxes for all the materials procured by us, for carrying out the works for above Lol and we indemnify GIPCL from any liability arising thereof.
9. In case of any disputes arising in future related to payment of royalties, all liabilities of settlement of dispute and its payment if any, will be borne by us.
10. We have paid wages to all the workmen who were deployed by us for carrying out above referred work as per prevailing Minimum wages act. We have also fulfilled all requirements of the P.F. Act. We have maintained all records necessary as per the statutory requirements. We hereby indemnify GIPCL from any disputes arising in future related to payment of labors, Provident Fund, etc.. and confirm that all liabilities of settlements of disputes and their payment is our responsibility.

The above confirmation will come into effect as soon as payment from final bill after due recoveries will be received by us.

For, M/S. _____

Signature, Stamp and date.



SURAT LIGNITE POWER PLANT: Tender for replacement of “1) Re-heater link bend pipe after DESH (De superheater) in Unit-1& 4 Boilers and 2) Ash cooler coil bundle in Unit-1 Boiler” during ensuing overhauling year-2022-23.

ANNEXURE-I (To be read with Clause no.06 Eligibility criteria)

Eligibility criteria:

Qualification criteria no [in line with clause-6].	Document Reference no. submitted for Eligibility	Remarks
6(1)		
6(2)		
6(3)		
6(4)		
6(5)		
6(6)		
6(7)		
6(8)		
6(9)		
6(10)		
6(11)		
6(12)		
6(13)		



SURAT LIGNITE POWER PLANT: Tender for replacement of “1) Re-heater link bend pipe after DESH (De superheater) in Unit-1& 4 Boilers and 2) Ash cooler coil bundle in Unit-1 Boiler” during ensuing overhauling year-2022-23.

ANNEXURE – J

SCHEDULE OF DEVIATION FROM GENERAL AND TECHNICAL SPECIFICATIONS

All the deviations from the general and technical specifications shall be filled by BIDDER clause by clause in this schedule.

Sr. No	SECTION	CLAUSE NO	AS PER TENDER DOCUMENT	DEVIATION

The bidder here by certifies that the above mentioned are the only deviations from OWNER’s General/ Technical Conditions of this enquiry. The bidder further confirms that in the events any other data and information presented in the BIDDER’s proposal and accompanying documents are at variance with specific requirements laid out in the OWNER’s General /Technical Specifications, then the latter shall govern and will be binding on the BIDDER for quoted price.

COMPANY SEAL

SIGNATURE

NAME

DESIGNATION

COMPANY

DATE



SURAT LIGNITE POWER PLANT: Tender for replacement of “1) Re-heater link bend pipe after DESH (De superheater) in Unit-1& 4 Boilers and 2) Ash cooler coil bundle in Unit-1 Boiler” during ensuing overhauling year-2022-23.

ANNEXURE-F

Declaration cum Undertaking for Safety Laws and Regulations Compliance (To be submitted on Company's Letter Head)

I _____ on behalf ofName of Party/Company.....hereby confirm, agree and undertake that all the Statutory and Safety Laws and Regulations of the applicable Authority/ies shall be strictly followed for all types of works at the site during the period of the Contract, if awarded to me.

Signed and Stamped by the
Authorized Signatory
Of the Bidder

Declaration for Contractual Litigations (To be submitted on Company's Letter Head)

Please Tick (✓) whichever is correct option

I _____ on behalf ofName of Party/Company.....hereby confirm that I /We have

a. Not invoked legal recourse e.g. litigation against any Govt, of Gujarat Undertakings / Depts. / Authorities and Govt. of Gujarat supported companies / undertakings / organizations for the last three(03) years. There are no ongoing/pending legal matter(s) with any of the Govt. of Gujarat Undertakings / GoG supported Companies, including GIPCL.

Please Tick ()

OR

b. Invoked legal recourse e.g. litigation against any Govt, of Gujarat Undertakings / Depts. / Authorities and Govt. of Gujarat supported companies / undertakings / organizations for the last three(03) years.

Please Tick ()

If “b” is applicable, please submit the details for the same.

The above is true, as on date, to the best of my knowledge. Any breach/ false statement in this regard shall amount to disqualification of the Bid being submitted herein.

Signed and Stamped by the
Authorized Signatory
Of the Bidder



SURAT LIGNITE POWER PLANT: Tender for replacement of “1) Re-heater link bend pipe after DESH (De superheater) in Unit-1& 4 Boilers and 2) Ash cooler coil bundle in Unit-1 Boiler” during ensuing overhauling year-2022-23.

ANNEXURE-H

PARTICULARS OF THE BIDDER

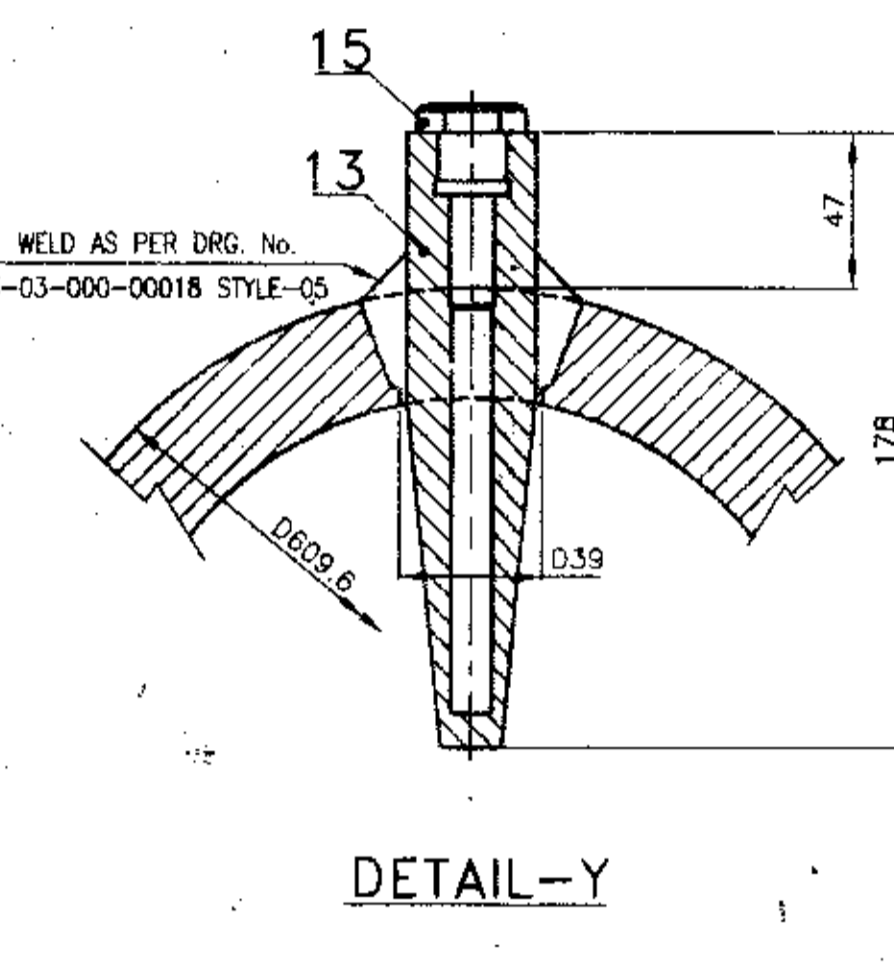
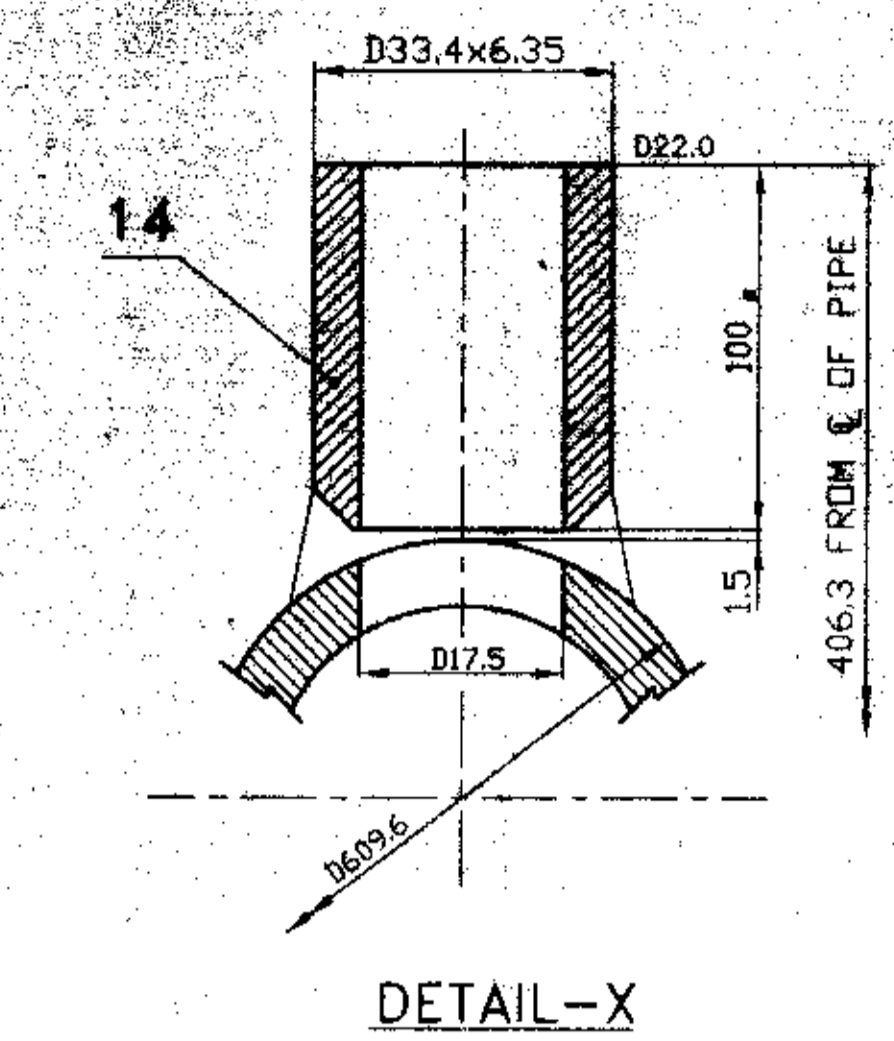
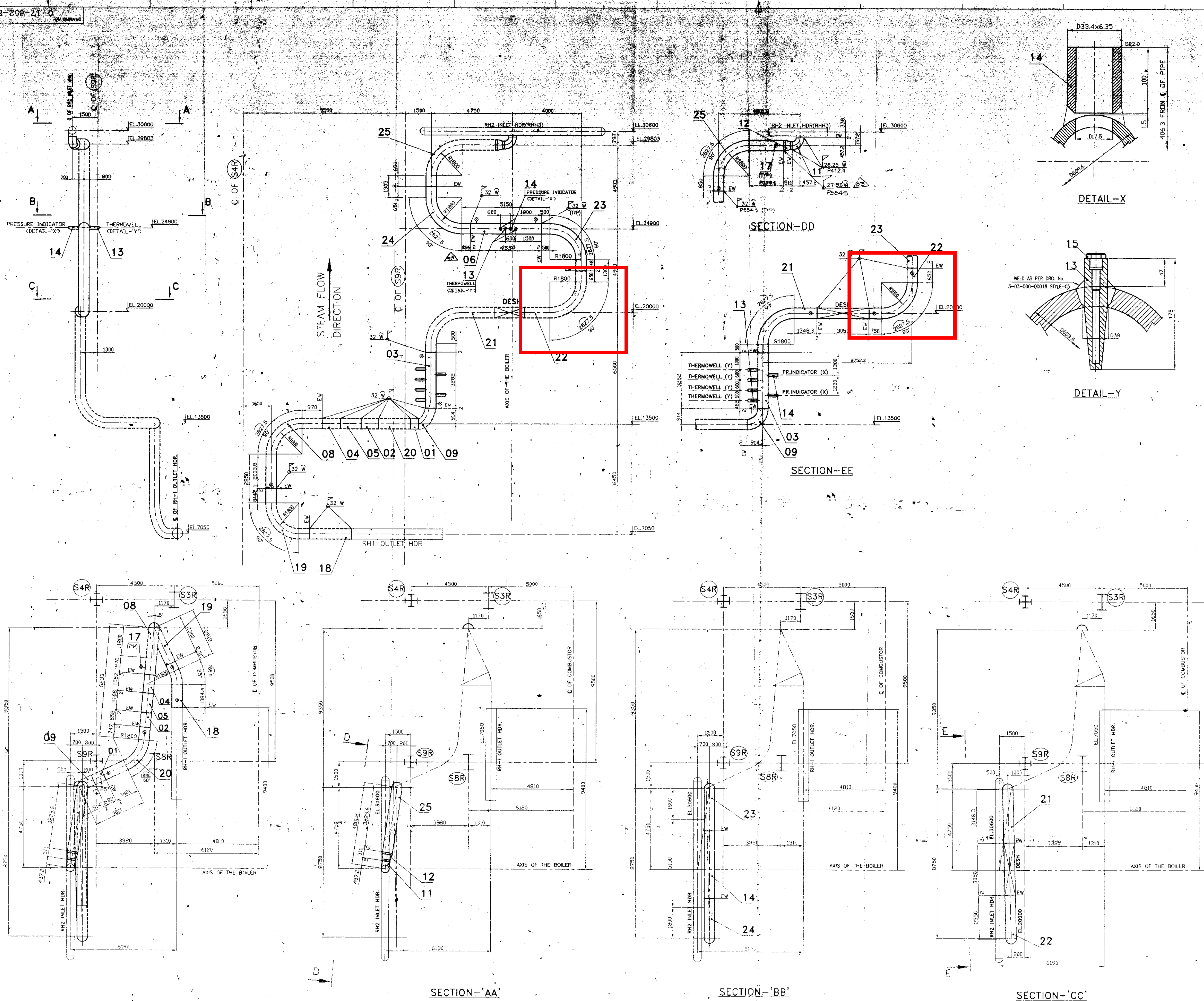
Sr. No.	Particulars	Please provide information here.
1.	Name of Bidder	
2.	a. Registered Office Address: b. Address for Correspondence: c. E-mail ID:	
3.	Contact Details: Contact Person Name Telephone No. : Mobile No.:	
4.	Year of establishment PAN No. GST No	

COMPANY SEAL

SIGNATURE
NAME
DESIGNATION
COMPANY
DATE

PHASE-I Boiler RH-1 to RH-2 link drawing

Qty: 01 Nos.



- NOTES**
01. DESIGN PRESSURE: 17.24 MPa (250 PSI)
 02. DESIGN TEMPERATURE: 377°C
 03. DESIGN CODE: ISIRI
 04. MANUFACTURE AND INSPECTION AS PER ISIRI
 05. RADI. OF BEND R=1800.
 06. ALL PIPE ENDS ARE TO BE EDGE PREPARED TO P554.5
 07. FOR OPTIONAL JOINT EDGE PREPARATION SHALL BE DONE TO P554.5
 08. RADIOGRAPHIC TEST OF ALL CIRCUMFERENCED WELDS - 100%
 09. HYDRAULIC TEST WILL BE DONE AT SITE AFTER ERECTION
 10. QUALITY REQUIREMENTS AS PER APPLICABLE S.O.P
 11. PIPE ENDS TO BE CARPED BEFORE DESPATCH
 12. ITEM NO. 17 TO BE SCREWED TIGHTLY AT SHOP AND AFTER RADIOGRAPHY AT SITE IT SHOULD BE SEAL WELDED.
 13. HEAT TREATMENT AS PER I.B.R.
 14. ITEM NOS. 03,06 & 08 ARE TO BE CUT, EDGE PREPARED AND WELDED AT SITE.

- REFERENCE DRAWINGS**
01. BUTT WELD EDGE PREPARATION AS PER ISIRI TP, D22.05.94
 02. WELDING OF THERMOWELL DRS.3-00-00018
 03. WELDING OF RC PLUG 6108-0022

WELD TABLE

SLNO	SIZE OR ITEM NOS	TYPE OF WELD	TYPE OF ELECTRODE	NO. OFF OR LENGTH
01	D609.6	32 W	RT230R 1Mo E 8018-B3	13 NOS
02	PIPE WITH REDUCER	26.25 W	RT230R 1Mo E 8018-B3	1 NO.
03	1457.2	26.25 W	RT230R 1Mo E 8018-B3	1 NO.
04	13 WITH PIPE	AS SHOWN	E 8018-B3	4 NOS
05	14 WITH PIPE	AS SHOWN	E 8018-B3	2 NOS

SLNO	DESCRIPTION	QTY	UNIT	WEIGHT	QTY	WEIGHT
26	RG PLUG M24	6108-0022-22		0.300		
25	PIPE D609.6x30		L	236.520		
24	PIPE D609.6x30		L	1705.810		
23	PIPE D609.6x30		L	1812.810		
22	PIPE D609.6x30		L	2005.050		
21	PIPE D609.6x30		L	1729.300		
20	PIPE D609.6x30		L	1788.800		
19	PIPE D609.6x30		L	1152.110		
18	PIPE D609.6x30		L	0.300		
17	RG PLUG M24	6108-0022-22		0.300		
16	CANCELLED					
15	PLUG M20x1.5	6110 8040 02		0.100		
14	STEEL PIPE	4-17-852-80017		0.424		
13	THERMOWELL	SA 335 P22		0.100		
12	REDUCER	SA 335 P22		0.100		
11	ELBOW	SA 335 P22		500.000		
10	CANCELLED					
09	ELBOW	SA 335 P22		420.000		
08	PIPE BEND	SA 335 P22		0.100		
07	PIPE D609.6x30		L	2833.000		
06	PIPE D609.6x30		L	562.000		
05	PIPE D609.6x30		L	466.000		
04	PIPE D609.6x30		L	182.000		
03	PIPE D609.6x30		L	169.600		
02	PIPE D609.6x30		L	294.000		
01	PIPE D609.6x30		L	0.300		

REVISIONS

REV	DATE	ALTERED	BY	APPD.
01	10.02.97	CHD & APPD.		
02	11.07.97	CHD & APPD.		

LINKS FOR RH1 OUTLET HDR TO RH2 INLET HDR

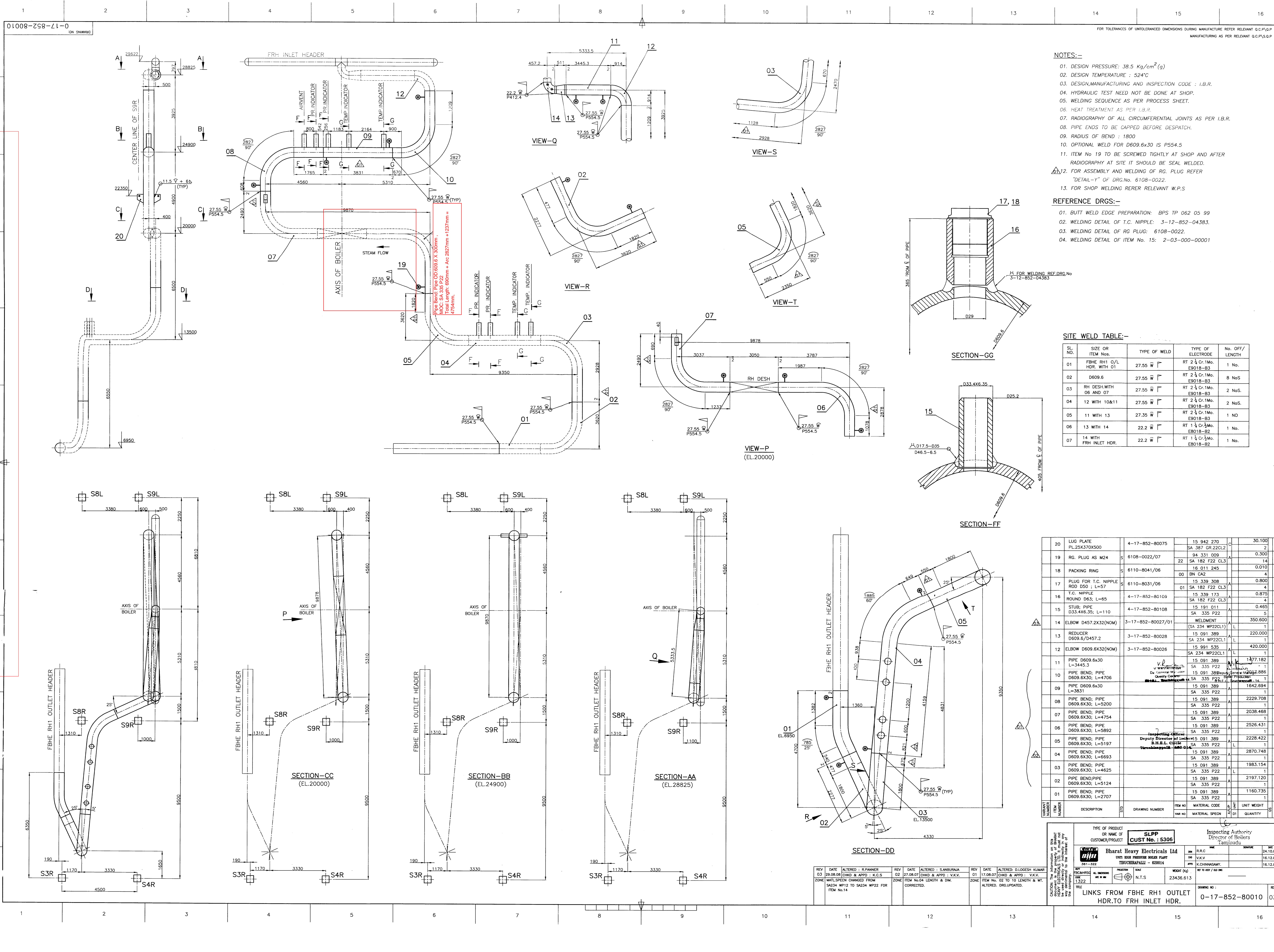
SLIP. CUST NO. 5106

Bharat Heavy Electricals Ltd
UNIT: HIGH PRESSURE BOILER PLANT
TRICHURAPALLY - 520014

DATE: 24.08.2006

REV: 01

PHASE-II Boiler RH-1 to RH-2 link drawing



- NOTES:-**
- DESIGN PRESSURE: 38.5 Kg/cm² (g)
 - DESIGN TEMPERATURE : 524°C
 - DESIGN, MANUFACTURING AND INSPECTION CODE : I.B.R.
 - HYDRAULIC TEST NEED NOT BE DONE AT SHOP.
 - WELDING SEQUENCE AS PER PROCESS SHEET.
 - HEAT TREATMENT AS PER I.B.R.
 - RADIOGRAPHY OF ALL CIRCUMFERENTIAL JOINTS AS PER I.B.R.
 - PIPE ENDS TO BE CAPPED BEFORE DESPATCH.
 - RADIUS OF BEND : 1800
 - OPTIONAL WELD FOR D609.6x30 IS P554.5
 - ITEM No 19 TO BE SCREWED TIGHTLY AT SHOP AND AFTER RADIOGRAPHY AT SITE IT SHOULD BE SEAL WELDED.
 - FOR ASSEMBLY AND WELDING OF RG PLUG REFER "DETAIL-Y" OF DRG.No. 6108-0022.
 - FOR SHOP WELDING REFER RELEVANT W.P.S

- REFERENCE DRGS:-**
- BUTT WELD EDGE PREPARATION: BPS TP 062 05 99
 - WELDING DETAIL OF T.C. NIPPLE: 3-12-852-04383.
 - WELDING DETAIL OF RG PLUG: 6108-0022.
 - WELDING DETAIL OF ITEM No. 15: 2-03-000-00001

SITE WELD TABLE:-

SL. NO.	SIZE OR ITEM No.	TYPE OF WELD	TYPE OF ELECTRODE	No. off/ LENGTH
01	FBHE RH1 O/L HDR. WITH 01	27.55 W	RT 2 1/2 Cr.1Mo. E9018-B3	1 No.
02	D609.6	27.55 W	RT 2 1/2 Cr.1Mo. E9018-B3	8 NoS
03	RH DESH WITH 06 AND 07	27.55 W	RT 2 1/2 Cr.1Mo. E9018-B3	2 NoS.
04	12 WITH 10&11	27.55 W	RT 2 1/2 Cr.1Mo. E9018-B3	2 NoS.
05	11 WITH 13	27.35 W	RT 2 1/2 Cr.1Mo. E9018-B3	1 NO
06	13 WITH 14	22.2 W	RT 1 1/2 Cr.1Mo. E8018-B2	1 No.
07	14 WITH FRH INLET HDR.	22.2 W	RT 1 1/2 Cr.1Mo. E8018-B2	1 No.

ITEM NUMBER	DESCRIPTION	STD	DRAWING NUMBER	MATERIAL CODE	MATERIAL SPECN	UNIT WEIGHT	QUANTITY	ZONE
20	LUG PLATE PL-25X370X500		4-17-852-80075		15 942 270 SA 387 GR.22CL2		30.100	
19	RG PLUG AS M24		6108-0022/07		94 331 009 SA 182 F22 CL3		0.300	
18	PACKING RING		6110-8041/06		16 011 245 SA 182 F22 CL3		0.010	
17	PLUG FOR T.C. NIPPLE ROD D50 ; L=57		6110-8031/06		15 339 308 SA 182 F22 CL3		0.800	
16	ROUND D63; L=65		4-17-852-80109		15 339 173 SA 182 F22 CL3		0.875	
15	STUB PIPE D33.4x6.35; L=110		4-17-852-80108		15 191 011 SA 335 P22		0.465	
14	ELBOW D457.2x32(NOM)		3-17-852-80027/01		15 091 389 SA 234 WP22CL1		350.600	
13	REDUCER D609.6/D457.2		3-17-852-80028		15 091 389 SA 234 WP22CL1		220.000	
12	ELBOW D609.6x32(NOM)		3-17-852-80026		15 091 535 SA 234 WP22CL1		420.000	
11	PIPE D609.6x30 L=3445.3				15 091 389 SA 335 P22		1477.182	
10	PIPE BEND; PIPE D609.6x30; L=4706				15 091 389 SA 335 P22		2228.422	
09	PIPE D609.6x30 L=3831				15 091 389 SA 335 P22		1642.694	
08	PIPE BEND; PIPE D609.6x30; L=5200				15 091 389 SA 335 P22		2229.708	
07	PIPE BEND; PIPE D609.6x30; L=4754				15 091 389 SA 335 P22		2038.468	
06	PIPE BEND; PIPE D609.6x30; L=5892				15 091 389 SA 335 P22		2526.431	
05	PIPE BEND; PIPE D609.6x30; L=5197				15 091 389 SA 335 P22		2228.422	
04	PIPE BEND; PIPE D609.6x30; L=6693				15 091 389 SA 335 P22		2870.748	
03	PIPE BEND; PIPE D609.6x30; L=4625				15 091 389 SA 335 P22		1983.154	
02	PIPE BEND; PIPE D609.6x30; L=5124				15 091 389 SA 335 P22		2197.120	
01	PIPE BEND; PIPE D609.6x30; L=2707				15 091 389 SA 335 P22		1160.735	

SLPP
CUST No.: 5306

Inspecting Authority
Director of Boilers
Tamilnadu.

Bharat Heavy Electricals Ltd
UNIT: HIGH PRESSURE ENGINE PLANT
TIRUCHIRAPPALLI - 620014

REV. DATE: 03/29/88
ALTERED BY: K.K.S
ZONE: SA234 WP12 TO SA234 WP22 FOR ITEM No.14

REV. DATE: 02/27/87
ALTERED BY: K.K.V.
ZONE: ITEM No.04 LENGTH & DIM. CORRECTED.

REV. DATE: 01/17/88
ALTERED BY: D. LOGESH KUMAR
ZONE: ITEM No.02 TO LENGTH & WT. ALTERED. DRG. UPDATED.

TYPE OF PRODUCT OR NAME OF CUSTOMER/PROJECT: N.T.S.

WEIGHT (kg): 23436.613

DRAWING NO.: 01-17-852-80010

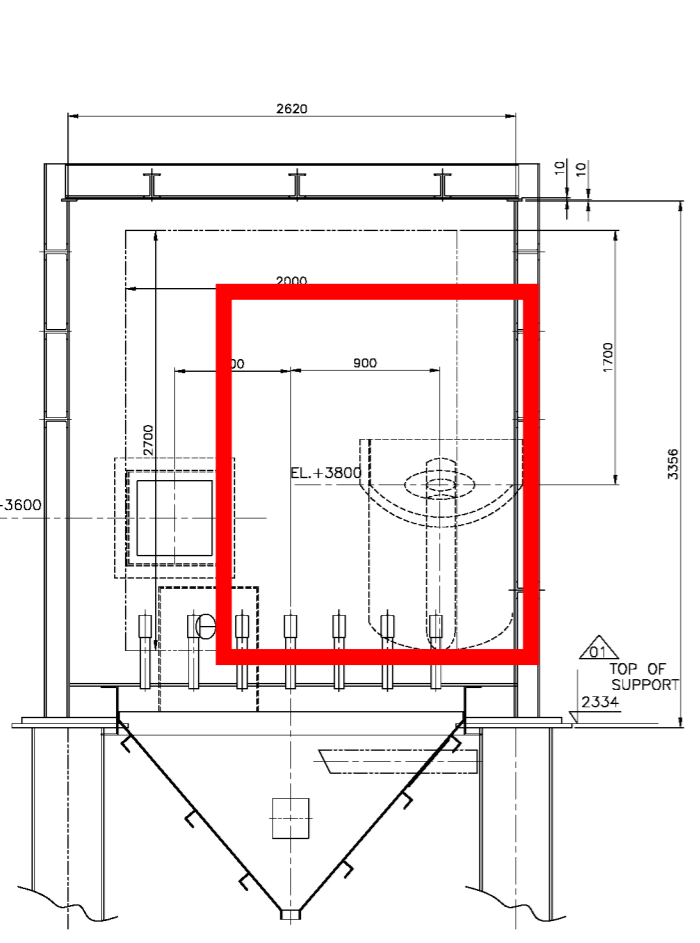
REV: 03

LINKS FROM FBHE RH1 OUTLET HDR. TO FRH INLET HDR.

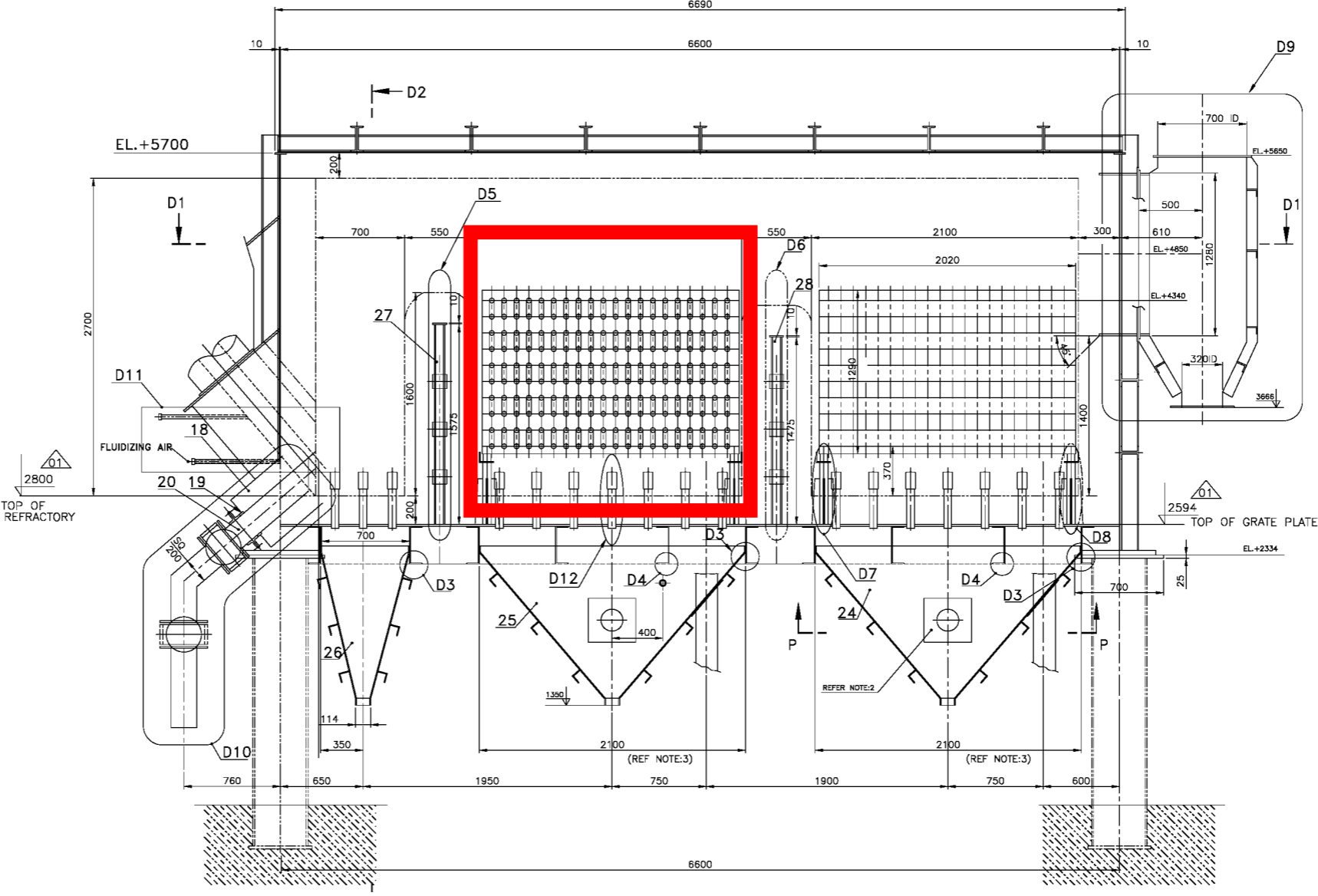
Ash cooler-1 Bundle chamber-1

91899-082-00-0
3D DRAWING

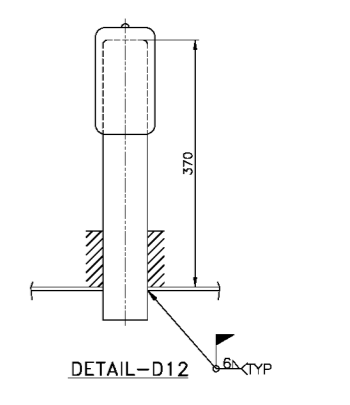
FOR TOLERANCES OF UNTOLERANCED DIMENSIONS DURING MANUFACTURE REFER PLANT STD. NO. TP 003 0299.



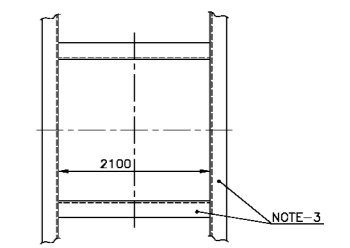
SECTION-D2D2



SECTION-DD



DETAIL-D12



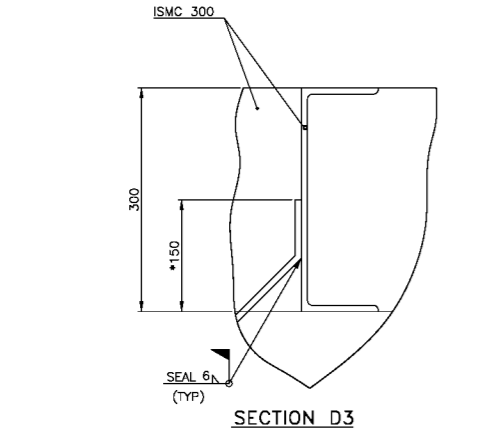
SECTION-PP

READ ALONG WITH DRG.Nos.

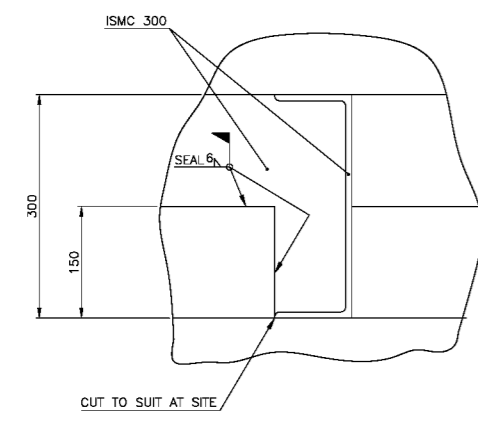
- 0-00-280-55811
- 0-00-280-55812
- 0-00-280-55813
- 0-00-280-55814
- 0-00-280-55815
- 0-00-280-55817
- 0-00-280-55818

NOTES

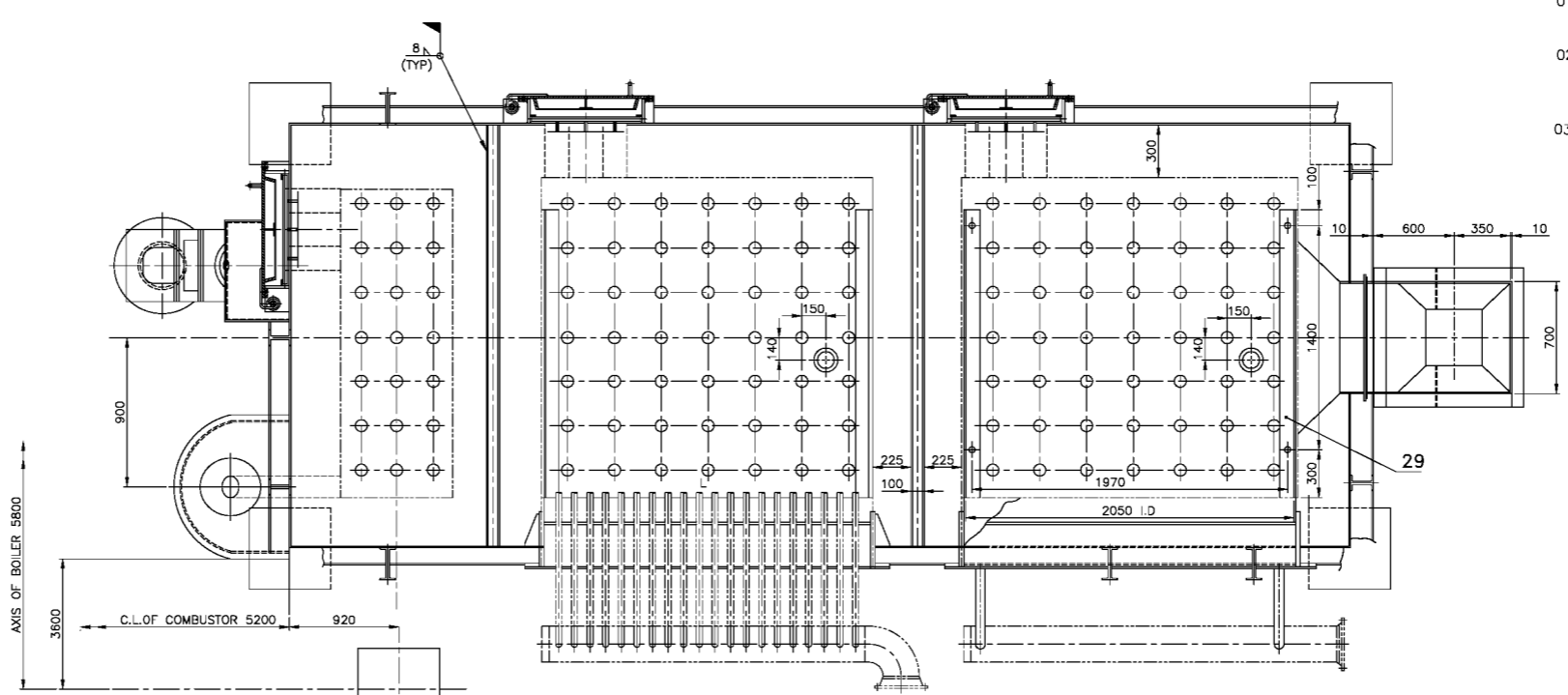
01. SEAL WELDED WITH THE SEAL PLATE.
02. WIND BOX WALLS TO BE CUT AT SITE TO CLEAR THE GRATE PLATE STIFFENER (ISM.300) AND THE GAP TO BE SUITABLY CLOSED USING 10 MM THICK PLATE.
03. STIFFENER CHANNEL TO BE CUT AND RELOCATED TO SUIT AT SITE IN CASE OF FOULING.



SECTION D3

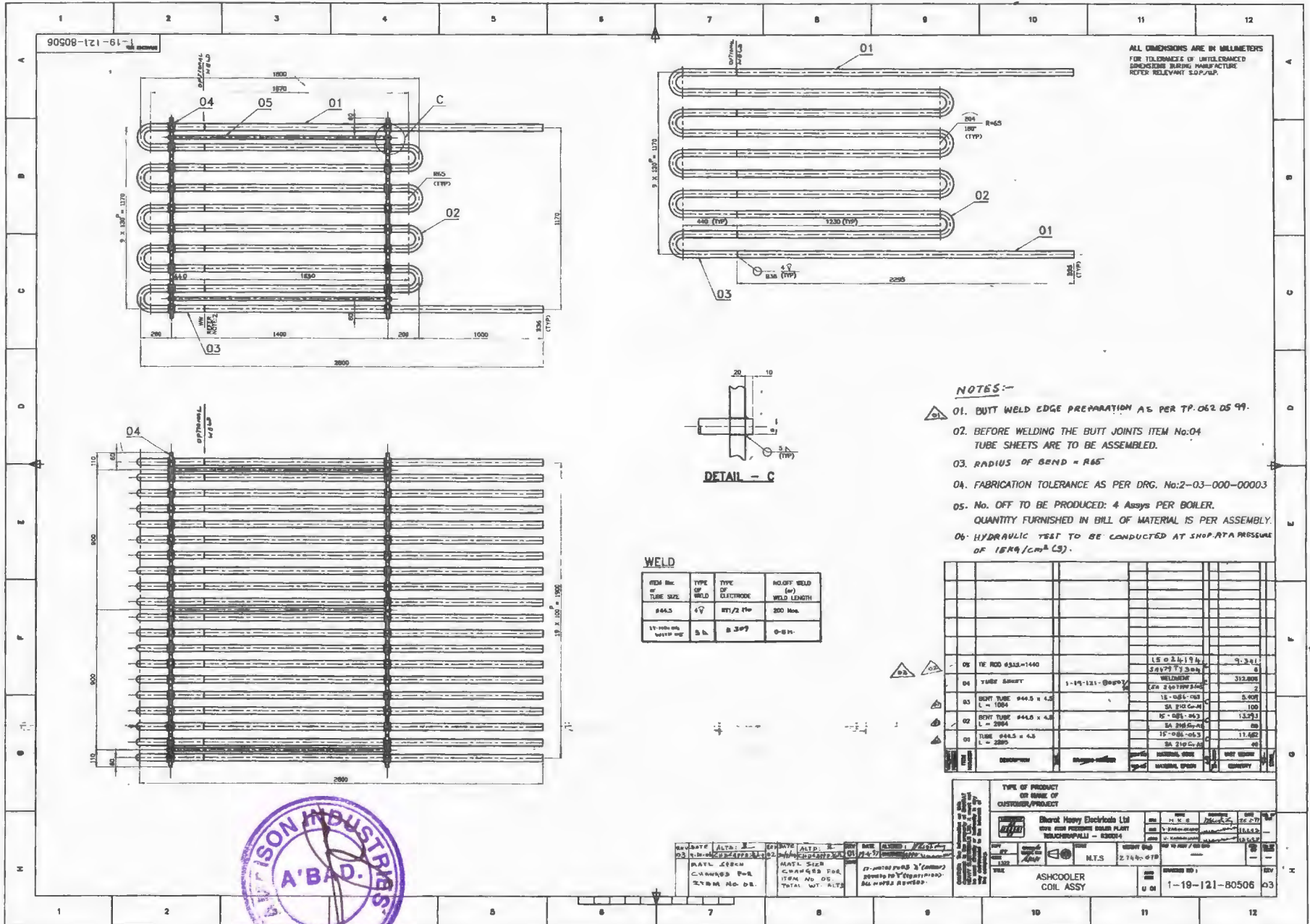


DETAIL D4



SECTION-D1D1

TYPE OF PRODUCT OR NAME OF CUSTOMER/PROJECT		5305 & 5306-SLPP-II - CFBC	
Bharat Heavy Electricals Ltd		DR	P. RAMANATHAN
CENTRAL ENGINEERING RESEARCH INSTITUTE		DR	V.G.KADIRVELL
TIRUCHIRAPPALLI - 620016		APP	V.G.KADIRVELL
REV	DATE	ALTERED BY	APPROVED BY
01	24-11-08	CHGD & APPROV	GANDHARVILL
ELEVATION LEVEL SHOWN.			
TYPE		SCALE	1:1
TITLE		ASSY. NO.	0-00-280-55816
REV		DATE	BY
01			

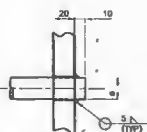


90508-121-61-1-19-121-80508

ALL DIMENSIONS ARE IN MILLIMETERS
FOR TOLERANCES OF UNDIMENSIONED
DIMENSIONS BRASSING MANUFACTURE
REFER RELEVANT S.O.P./I.P.

NOTES:-

- 01. BUTT WELD EDGE PREPARATION AS PER TP-062 05 99.
- 02. BEFORE WELDING THE BUTT JOINTS ITEM No:04 TUBE SHEETS ARE TO BE ASSEMBLED.
- 03. RADIUS OF BEND = R65
- 04. FABRICATION TOLERANCE AS PER DRG. No:2-03-000-00003
- 05. No. OFF TO BE PRODUCED: 4 Assays PER BOILER.
QUANTITY FURNISHED IN BILL OF MATERIAL IS PER ASSEMBLY.
- 06. HYDRAULIC TEST TO BE CONDUCTED AT SHOP AT A PRESSURE OF 15R9 (CM² CS).



WELD

ITEM No. of TUBE SIZE	TYPE OF WELD	TYPE OF ELECTRODE	NO. OFF WELD (sq) WELD LENGTH
04	47	BTI/2 170	800 Nos.
17 rods dia. 1000 mm	5.0.	5.307	0-5H.

ITEM NO.	DESCRIPTION	QTY	UNIT	REMARKS	DATE	BY	CHECKED	DATE	BY
05	TE ROD 8332=1440	15 @ 2L-154	31875 T/3mm	312.800					
04	WIRE SHEET	1-19-121-00074	2007700 240	2					
03	BENT TUBE 044.5 x 4.5 L = 1004	15	025-700	5.400					
02	BENT TUBE 044.5 x 4.5 L = 2004	15	025-700	13.571					
01	TUBE 044.5 x 4.5 L = 2890	15	025-700	11.482					

TYPE OF PRODUCT OR NAME OF CUSTOMER/PROJECT

Shorot Heavy Electricals Ltd
NEW HIGH PRESSURE BOILER PLANT
MUSCHAMPALLI - 630014

DATE: 11.11.2019

PROJECT NO: 1-19-121-80508

ITEM NO: 90508-121-61-1-19-121-80508

DESCRIPTION: ASHCOOLER COIL ASSY

QTY: 4

UNIT: 01

DATE: 11-19-121-80508

BY: 03



