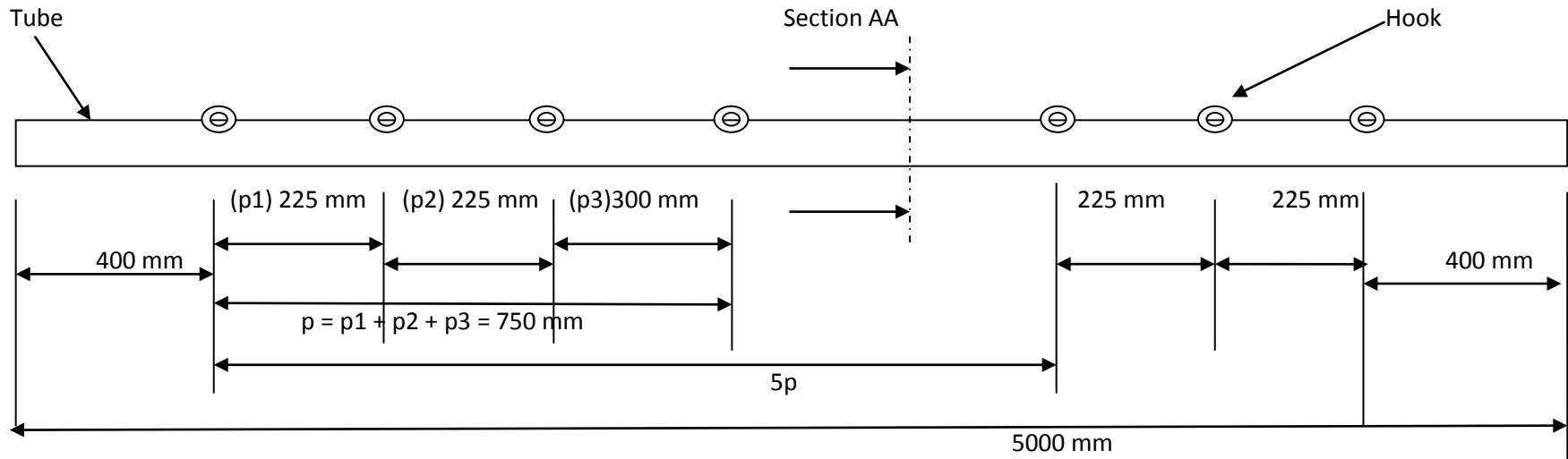
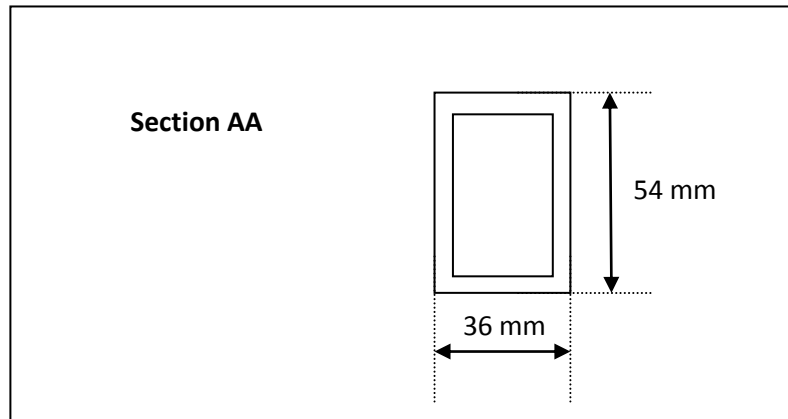


**VIEW - CC**

ALL DIMENSIONS ARE IN MM



$$400 + 5 \times 750 + 225 + 225 + 400 = 400 + 3750 + 450 + 400 = 5000 \text{ mm}$$



| Material Code | Description                                | Detail           |
|---------------|--|------------------|
| 2710801044    | RECTANGLE TUBE FOR EE HOOKING FRAME Type-1 | SINGLE SIDE HOOK |
| 2710801045    | RECTANGLE TUBE FOR EE HOOKING FRAME Type-2 | BOTH SIDE HOOK   |