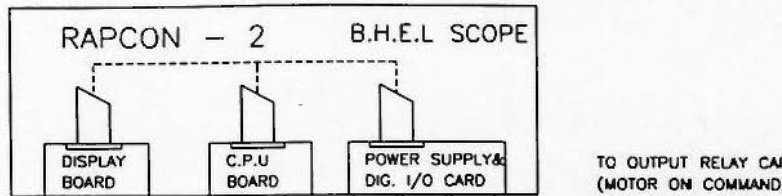
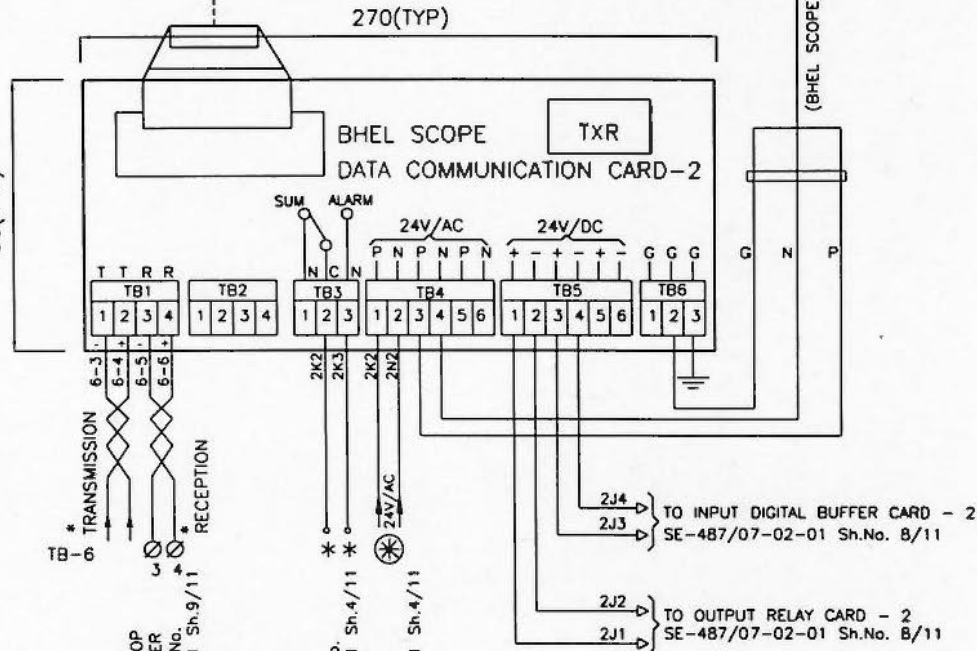


ALL DIMENSIONS ARE IN MM



TO OUTPUT RELAY CARD-2 (MOTOR ON COMMAND) REFER. DRG.No. SE-487/07-02-01 (SHEET No.8/11)

TO INPUT DIGITAL BUFFER CARD-2 (MOTOR ON FEED BACK) REFER. DRG.No. SE-487/07-02-01 (SHEET No.8/11)



* TRANSMISSION
TB-6
* RECEPTION

COMMUNICATION LOOP TO AND FROM OTHER RAPCONS. REF.Drg.No. SE-487/07-02-01 Sh.9/11

TO ANNUNCIATION CIRCUIT REF.DRG.No. SE-487/07-02-01 Sh.4/11
POWER SUPPLY FROM DRG.No. SE-487/07-02-01 Sh.4/11

2J4 } TO INPUT DIGITAL BUFFER CARD - 2
2J3 } SE-487/07-02-01 Sh.No. 8/11

2J2 } TO OUTPUT RELAY CARD - 2
2J1 } SE-487/07-02-01 Sh.No. 8/11

NOTE :-

- 01.CONNECTION DIAGRAM FOR DATA COMMUNICATION CARD OF RAPCON-2 IS SHOWN IN THIS DRAWING.
- 02.CABLE IN SUPPLIER'S SCOPE IS MARKED AS *(1.5 Sqmm PVC INS. SCREENED TWISTED PAIR).
- 03.THE PANEL MANUFACTURER WILL PROVIDE RAIL AS PER EN-50 022 (NS35 / 15) FOR MOUNTING THE DATA COMMUNICATION CARDS. THE RAIL SHALL COMPLY WITH THE LATEST STATE OF EUROPEAN STANDARDS AND MADE OF STEEL IN ACCORDANCE WITH DIN-V0E 0611 PART-3
- 04.THE FOLLOWING CONNECTORS WILL BE PROVIDED BY THE PANEL MANUFACTURER FOR EACH DATA COMMUNICATION CARD.
CONNECTOR MAKE & TYPE : PHOENIX MAKE, COMBICON TYPE

DATA COMMUNICATION CARD TB NUMBER	TYPE CONNECTOR
TB1/1 TO TB1/4	MVSTBR 2.5/4-ST 5.08
TB2/1 TO TB2/4	MVSTBR 2.5/4-ST 5.08
TB3/1 TO TB3/3	MVSTBR 2.5/3-ST 5.08
TB4/1 TO TB4/6	MVSTBR 2.5/6-ST 5.08
TB5/1 TO TB5/6	MVSTBR 2.5/6-ST 5.08
TB6/1 TO TB6/3	MVSTBR 2.5/3-ST 5.08
- 05.THE TRANSFORMER TXR IS PART OF DATA COMM. CARD.

REV	DATE	ALTERED	✓
02	11.01.08	CHECKED	✓

REV	DATE	ALTERED	SD
01	06.11.07	CHECKED	SD

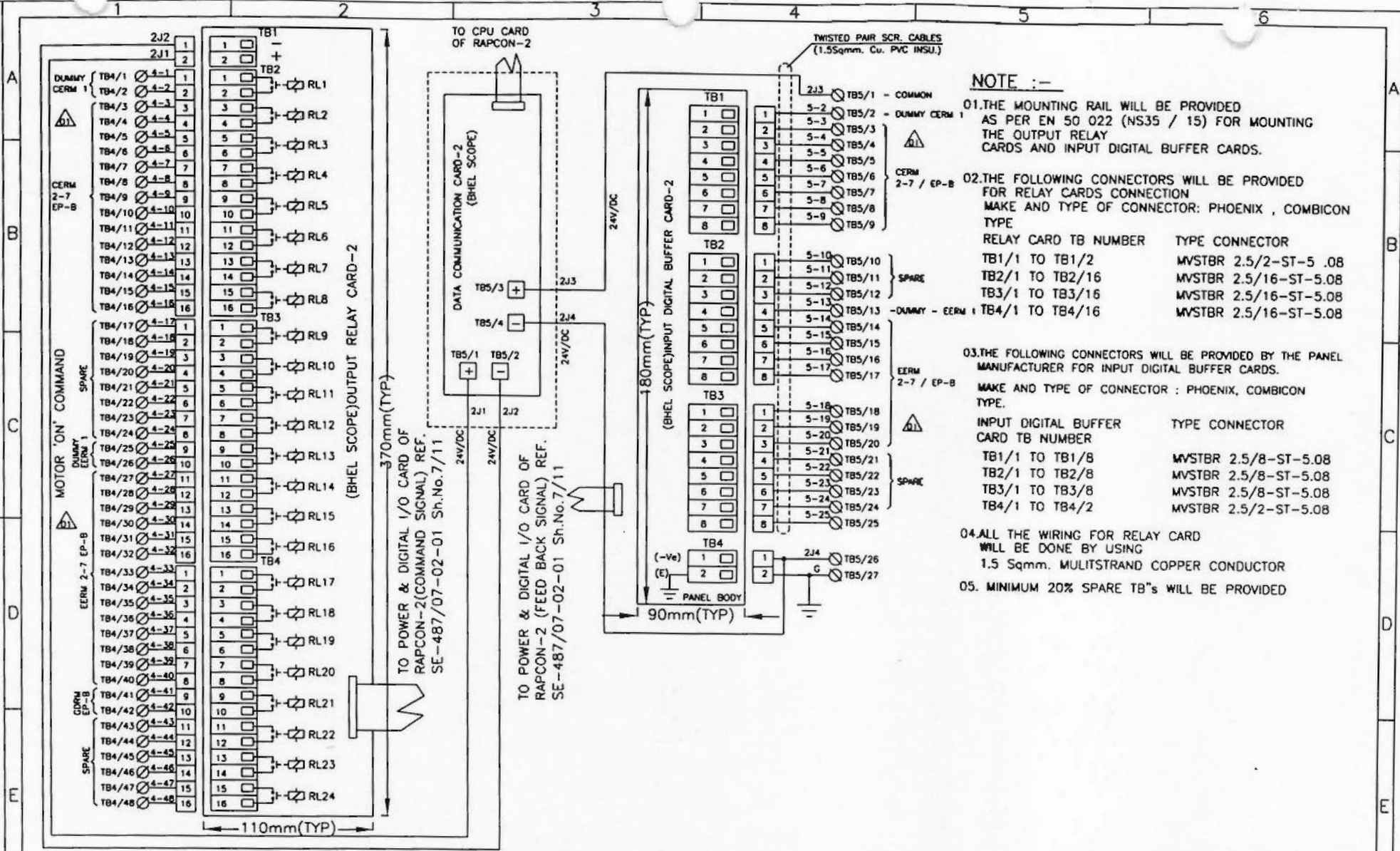
REVISED AS PER BHEL (R) COMMENTS DATED 01.11.2007

SUPPLIER		
M/s. SAJAS ELECTRICALS		
MATHUR - 622 515		
NAME	SIGN	DATE
DRN M.MD.IBRAHIM	-SD-	05.05.2007
CKD D.R.BABU	-SD-	05.05.2007
APPD S.JAYARAM	-SD-	05.05.2007

CUSTOMER	
M/s. BHEL	
RANIPET - 632 406	
REF.	REV.
BHEL DRG.NO:3-00-114-32960	REV.01
TITLE	
SCHEMATIC DIAGRAM OF RCP EP-B	

PO.NO.4263337/DATE:08.03.2007/Qty.02Nos.	
PRODUCT: RAPPER CONTROL PANEL	
PROJECT: GIPCL - SLPP UNIT - 3 & 4	
SCALE - NTS	
Drg. No. SE-487/07-02-01	SHT. No. REV 07 / 11 02

ALL DIMENSIONS ARE IN MM



NOTE :-

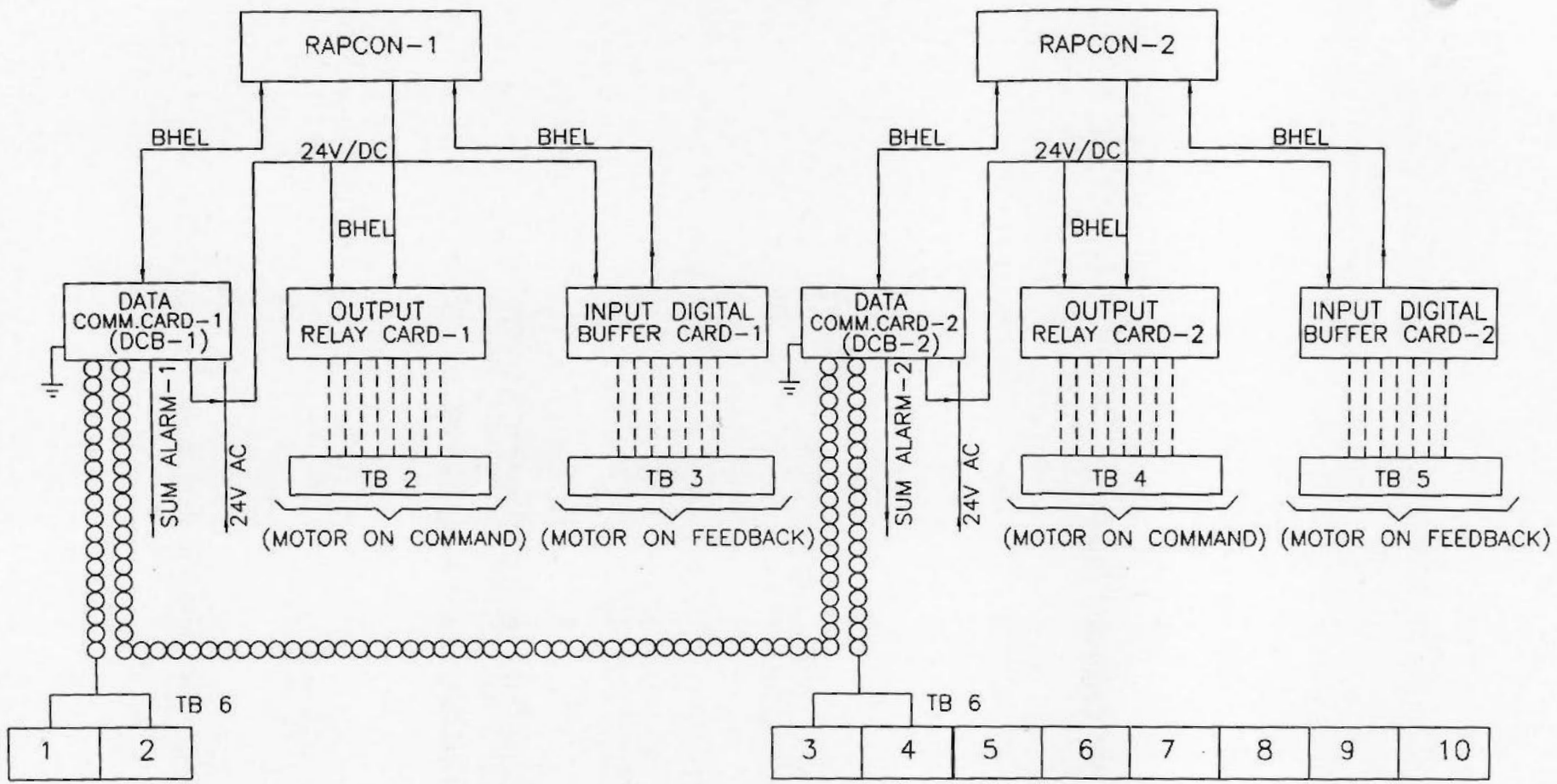
- 01. THE MOUNTING RAIL WILL BE PROVIDED AS PER EN 50 022 (NS35 / 15) FOR MOUNTING THE OUTPUT RELAY CARDS AND INPUT DIGITAL BUFFER CARDS.
- 02. THE FOLLOWING CONNECTORS WILL BE PROVIDED FOR RELAY CARDS CONNECTION MAKE AND TYPE OF CONNECTOR: PHOENIX , COMBICON TYPE

RELAY CARD TB NUMBER	TYPE CONNECTOR
TB1/1 TO TB1/2	MVSTBR 2.5/2-ST-5.08
TB2/1 TO TB2/16	MVSTBR 2.5/16-ST-5.08
TB3/1 TO TB3/16	MVSTBR 2.5/16-ST-5.08
TB4/1 TO TB4/16	MVSTBR 2.5/16-ST-5.08
- 03. THE FOLLOWING CONNECTORS WILL BE PROVIDED BY THE PANEL MANUFACTURER FOR INPUT DIGITAL BUFFER CARDS.

INPUT DIGITAL BUFFER CARD TB NUMBER	TYPE CONNECTOR
TB1/1 TO TB1/8	MVSTBR 2.5/8-ST-5.08
TB2/1 TO TB2/8	MVSTBR 2.5/8-ST-5.08
TB3/1 TO TB3/8	MVSTBR 2.5/8-ST-5.08
TB4/1 TO TB4/2	MVSTBR 2.5/2-ST-5.08
- 04. ALL THE WIRING FOR RELAY CARD WILL BE DONE BY USING 1.5 Sqmm. MULTISTRAND COPPER CONDUCTOR
- 05. MINIMUM 20% SPARE TB's WILL BE PROVIDED

REV DATE	ALTERED	✓	✓	SUPPLIER	CUSTOMER	PO.NO.4263337/DATE:08.03.2007/Qty.02Nos.
02	11.01.08	CHECKED	✓	M/s. SAJAS ELECTRICALS MATHUR - 622 515	M/s. BHEL RANIPET - 632 406	PRODUCT: RAPPER CONTROL PANEL
AS FITTED				NAME	SIGN	DATE
REV DATE	ALTERED	-SD-	-SD-	DRN	M.Md.IBRAHIM	-SD- 05.05.2007
01	06.11.07	CHECKED	-SD-	CKD	D.R.BABU	-SD- 05.05.2007
REVISED AS PER BHEL (R) COMMENTS DATED 01.11.2007				APPD	S.JAYARAM	-SD- 05.05.2007
TITLE						PROJECT
SCHEMATIC DIAGRAM OF RCP EP-B						GIPCL - SLPP UNIT - 3 & 4
Drg. No.						SCALE - NTS
SE-487/07-02-01						
						SHT. No. REV
						08 / 11 02

ALL DIMENSIONS ARE IN MM



REV	DATE	ALTERED	✓	AS FITTED	SUPPLIER	M/s. SAJAS ELECTRICALS MATHUR - 622 515	CUSTOMER	M/s. BHEL RANIPET - 632 406	PO.NO.4263337/DATE:08.03.2007/Qty.02Nos.
02	11.01.08	CHECKED	✓		NAME		REF.BHEL DRG.NO:3-00-114-32962 REV.01	PRODUCT:	RAPPER CONTROL PANEL
01	06.11.07	CHECKED	-SD-		DATE	05.05.2007	TITLE	PROJECT:	GIPCL - SLPP UNIT - 3 & 4
			-SD-		DRN	M.Md.IBRAHIM		SCALE - NTS	
					CKD	D.R.BABU		PROJECT:	
					APPD	S.JAYARAM		Drg. No.	SE-487/07-02-01
								SHT. No.	09 / 11
								REV	02

2

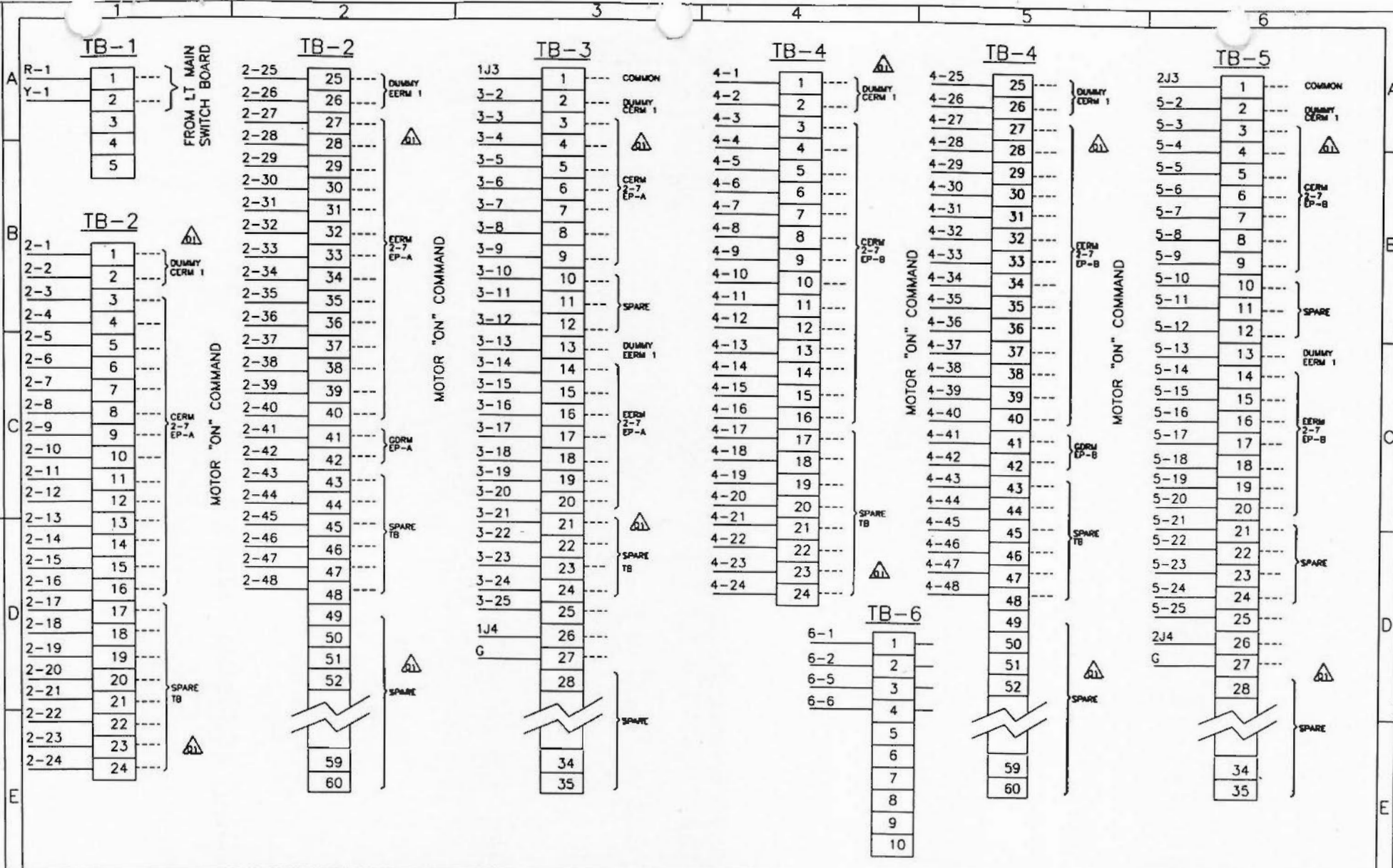
3

4

5

RAP GIPCL 09 AF

ALL DIMENSIONS ARE IN MM



REV DATE		ALTERED	✓	M. Ibrahim	SUPPLIER		CUSTOMER		PO.NO.4263337/DATE:08.03.2007/Qty.02Nos.	
02 11.01.08		CHECKED	✓		M/s. SAJAS ELECTRICALS		M/s. BHEL		PRODUCT: RAPPER CONTROL PANEL	
AS FITTED					MATHUR - 622 515		RANIPET - 632 406			
REV DATE		ALTERED	-SD-		NAME		SIGN	DATE	PROJECT: GIPCL - SLPP	
01 06.11.07		CHECKED	-SD-		DRN M.Md.IBRAHIM		-SD-	05.05.2007	UNIT - 3 & 4	
REVISED AS PER BHEL (R)					CKD D.R.BABU		-SD-	05.05.2007	SCALE - NTS	
COMMENTS DATED 01.11.2007					APPD S.JAYARAM		-SD-	05.05.2007	SHT. No. REV	
									10 / 11 02	
							TB DIAGRAM		SE-487/07-02-01	
									Drg. No.	
									RAP GIPCL 10 AF	

ALL DIMENSIONS ARE IN MM

SL.No.	TAG.No.	DESCRIPTION	MAKE	TYPE	RATING	Qty.
27.		DOUBLE COMPRESSION CABLE GLAND	COMET		CBW02 3Cx2.5qmm CBW03 10Cx2.5Sqmm CBW01S 4Cx1.5Sqmm CBW01S 4Cx1.5Sqmm	01 No. 08 Nos. 12 Nos. 02 Nos.
26.	DS	DOOR SWITCH	KAYCEE		KLS000 X OA 10A	01 No.
25.	PS	PLUG & SOCKET WITH SWITCH	ANCHOR		6A	01 No.
24.	TH	THERMOSTAT	TEMPTRON		5°C-75°C	01 No.
23.	SH	SPACE HEATER	PYRO		100W / 240V	01 No.
22.	CL	TUBELIGHT WITH FITTING	PHILIPS		2" FEET 20W / 240V	01 No.
21.	TB2-TB6	TERMINAL BLOCK	ELMEX		KUT 4 32A	200 Nos
20.	TB1	TERMINAL BLOCK	ELMEX		KUT 6 41A	05 Nos.
19.	H	HOOTER	SAJAS		240V	01 No.
18.	PB1	PUSH BUTTON WITH 4NO ELEMENT (BLACK)	L&T-ESBEE		10A	01 No.
17.	AR1, AR2	AUX. CONTACTOR WITH 24V AC COIL AND 2NO + 2NC COMBINATION	C&S (TELEMECHANIQUE)		TCA2-DN22 10A	02 Nos.
16.	HR1, HR2	AUX. CONTACTOR WITH 24V AC COIL AND 3NO + 1NC COMBINATION	C&S (TELEMECHANIQUE)		TCA2-DN31 10A	02 Nos.
15.	MCB1, MCB2	SINGLE POLE MCB	LEGRAND		LEXIC 2 A	02 Nos.
14.	LP3, LP4	INDICATING LAMP LED TYPE (RED)	L&T-ESBEE		24V	02 Nos.
13.	LP6, LP7	INDICATING LAMP LED TYPE (AMBER)	L&T-ESBEE		240V	02 Nos.
12.	LP2,LP5	INDICATING LAMP LED TYPE (RED)	L&T-ESBEE		240V	02 Nos.
11.	LP1	INDICATING LAMP LED TYPE (RED)	L&T-ESBEE		415V	01 No.
10.	LK1-LK7	NEUTRAL LINKS	CANDS		SAP171 30A	07 Nos.
09.	PF3,PF6,PF8	HRC FUSE BASE WITH 2A HRC FUSE LINK	L&T		HD32H BASE(32A)/LINK(2A)	03 Nos.
08.	PF1,PF2	HRC FUSE BASE WITH 10A HRC FUSE LINK	L&T		HD32H BASE(32A)/LINK(10A)	02 Nos.
07.	PF7	HRC FUSE BASE WITH 6A HRC FUSE LINK	L&T		HD32H BASE(32A)/LINK(6A)	01 No.
06.	PF4,PF5	HRC FUSE BASE WITH 4A HRC FUSE LINK	L&T		HD32H BASE(32A)/LINK(4A)	02 Nos.
05.	TR2	CONTROL TRANSFORMER	SOUTHERN ELECTRIKS (KAPPA)		P:415V S:240V 1 KVA	01 No.
04.	TR1	CONTROL TRANSFORMER	SOUTHERN ELECTRIKS (KAPPA)		P:415V S:24V, 24V 500VA	01 No.
03.	SW4	SINGLE POLE ON / OFF SWITCH	KAYCEE		SRP 213 25A	01 No.
02.	SW2,SW3	3 POLE ON / OFF SWITCH	L&T		FFO 32 32A	02 Nos.
01.	SW1	3 POLE ON / OFF SWITCH	L&T		FFO 32 32A	01 No.

SL.No.	DESCRIPTION	Qty.
05.	CABLES	2 SET
04.	OUTPUT RELAY CARD	2 Nos.
03.	INPUT DIG. BUFFER CARD	2 Nos.
02.	DATA COMM. CARD WITH TXR	2 Nos.
01.	RAPCON	2 Nos.

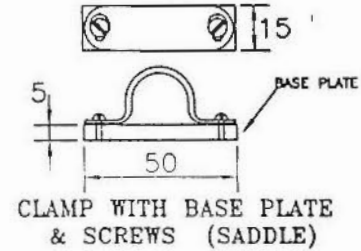
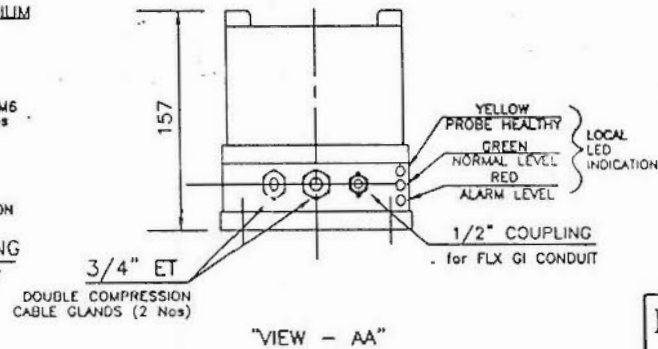
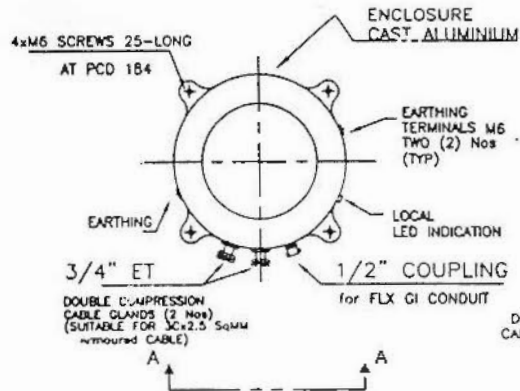
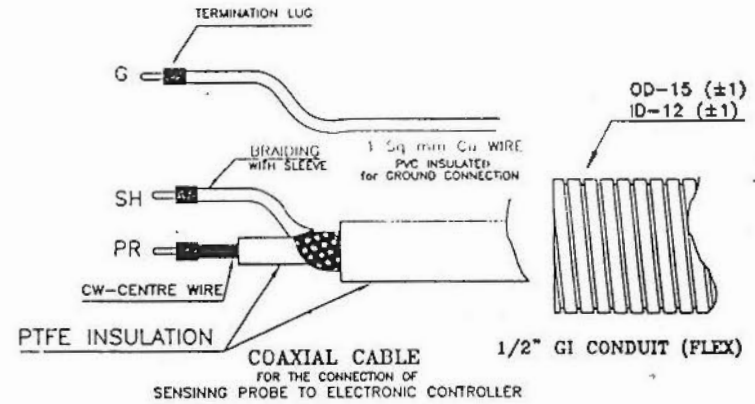
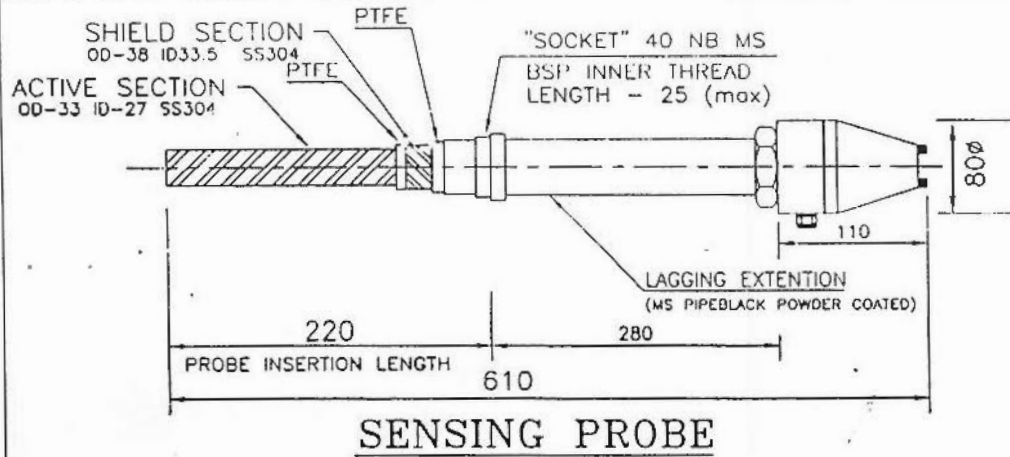
BHEL SCOPE OF SUPPLY

NOTE :-

THE FOLLOWING CONNECTORS OF PHOENIX MAKE COMBICON TYPE WILL BE PROVIDED BY SAJAS

MVSTBR 2.5/2	WAY.....	04 Nos.
MVSTBR 2.5/3	WAY.....	04 Nos.
MVSTBR 2.5/4	WAY.....	04 Nos.
MVSTBR 2.5/6	WAY.....	04 Nos.
MVSTBR 2.5/8	WAY.....	06 Nos.
MVSTBR 2.5/16	WAY.....	D6 Nos.

REV DATE 02 11.01.08	ALTERED CHECKED ✓	SUPPLIER M/s. SAJAS ELECTRICALS MATHUR - 622 515	CUSTOMER M/s. BHEL RANIPET - 632 406	PO.NO.4263337/DATE:08.03.2007/Qty.02Nos.
AS FITTED		NAME M.M.IBRAHIM	REF.BHEL DRG.NO:3-00-114-32963/REV.01	PRODUCT: RAPPER CONTROL PANEL
REV DATE 01 06.11.07	ALTERED CHECKED -SD-	SIGN -SD-	DATE 05.05.2007	PROJECT: GIPCL - SLPP UNIT - 3 & 4
REVISED AS PER BHEL (R) COMMENTS DATED 01.11.2007		NAME D.R.BABU	REF.BHEL DRG.NO:3-00-114-32963/REV.01	SCALE - NTS
		SIGN -SD-	DATE 05.05.2007	TITLE BILL OF MATERIALS
		NAME S.JAYARAM	DATE 05.05.2007	UNIT SE-487/07-02-01
		SIGN -SD-	DATE 05.05.2007	SHT. No. REV 11 / 11 02



ELECTRONIC CONTROLLER

NOTES:-

1. ALL DIMENSIONS ARE IN MM $\pm 5\%$
2. ID (INNER DIA) &/INNER DIMENSIONS OF ACTIVE SECTION, SHIELD SECTION & OTHER PARTS OF THE ASSEMBLED SENSING PROBE CAN NOT BE MEASURED
3. PROBE IS SUITABLE FOR CONTINUOUS OPERATION AT 250 DEG.C

IF ANY DOUBT ASK EIP ENVIRO

EIP ENVIRO LEVEL CONTROLS PVT LTD

NOIDA - INDIA

PO No. : 4262780 DTD 18.12.2006

PROJECT : GIPCL - SLPP - 3 & 4

CUSTOMER B H E L - RANIPET

TITLE-

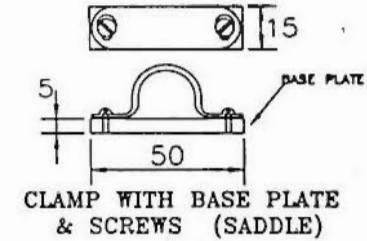
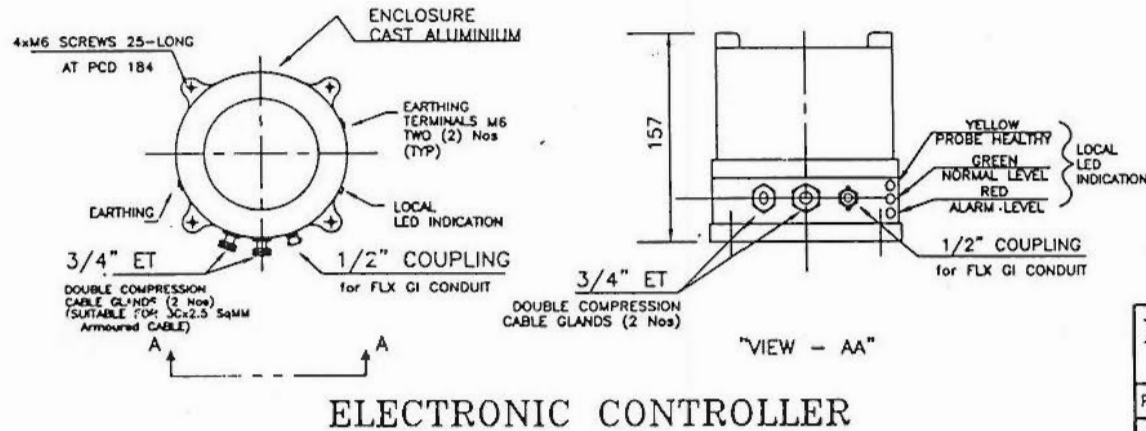
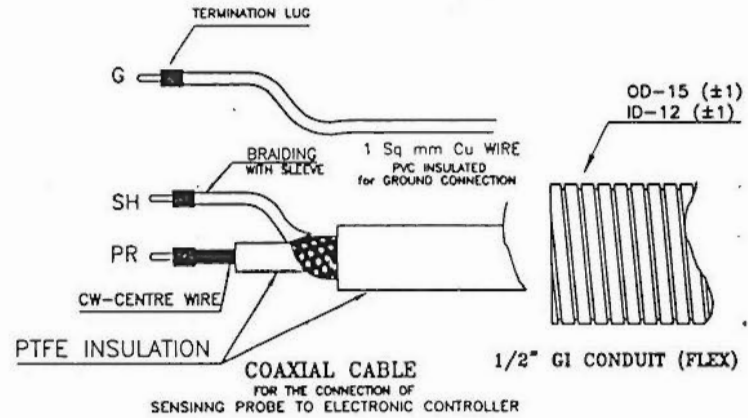
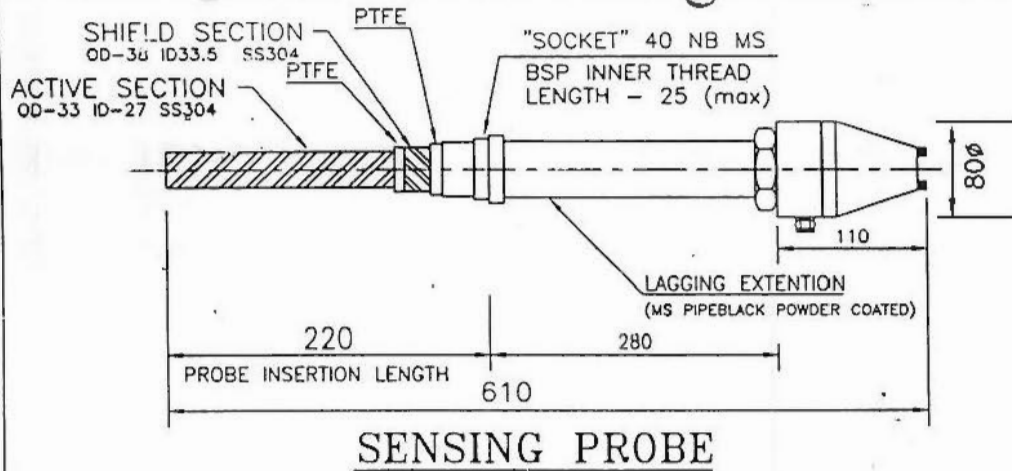
GA & DIMENSION
ASH LEVEL INDICATOR
RF LEVEL SWITCH
MODEL: 550 (HIGH LEVEL)

APPROVALS:

DRN	CHD	APD
SCALE - NTS	DATE	

DRG. NO. BH-GIP-01
SH 1 OF 1

REV. 00

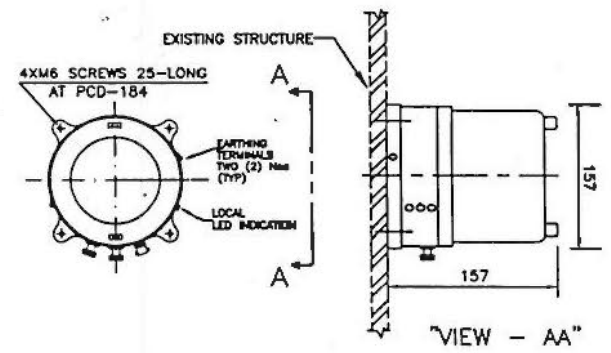
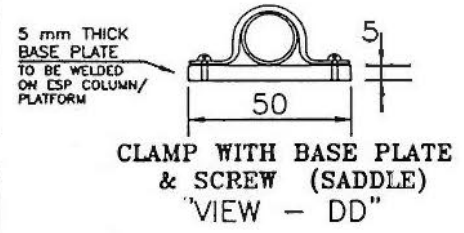
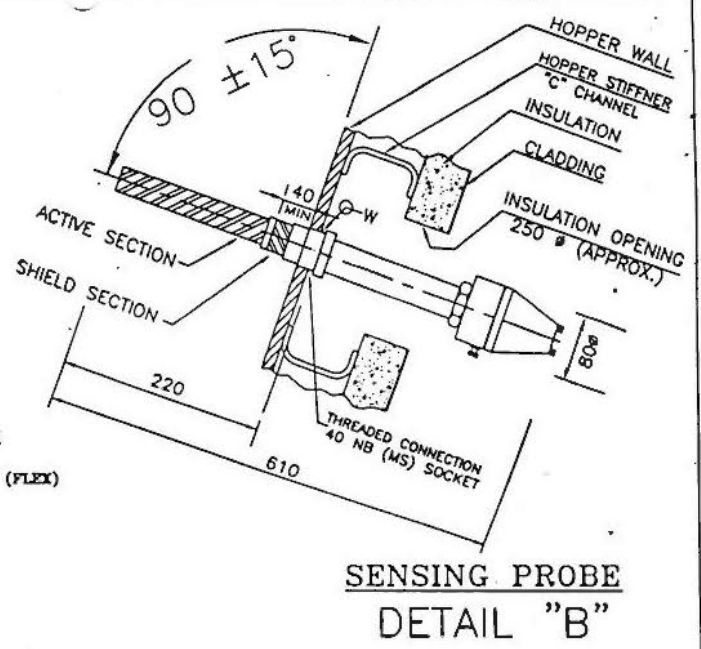
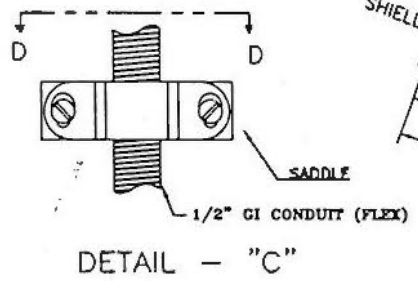
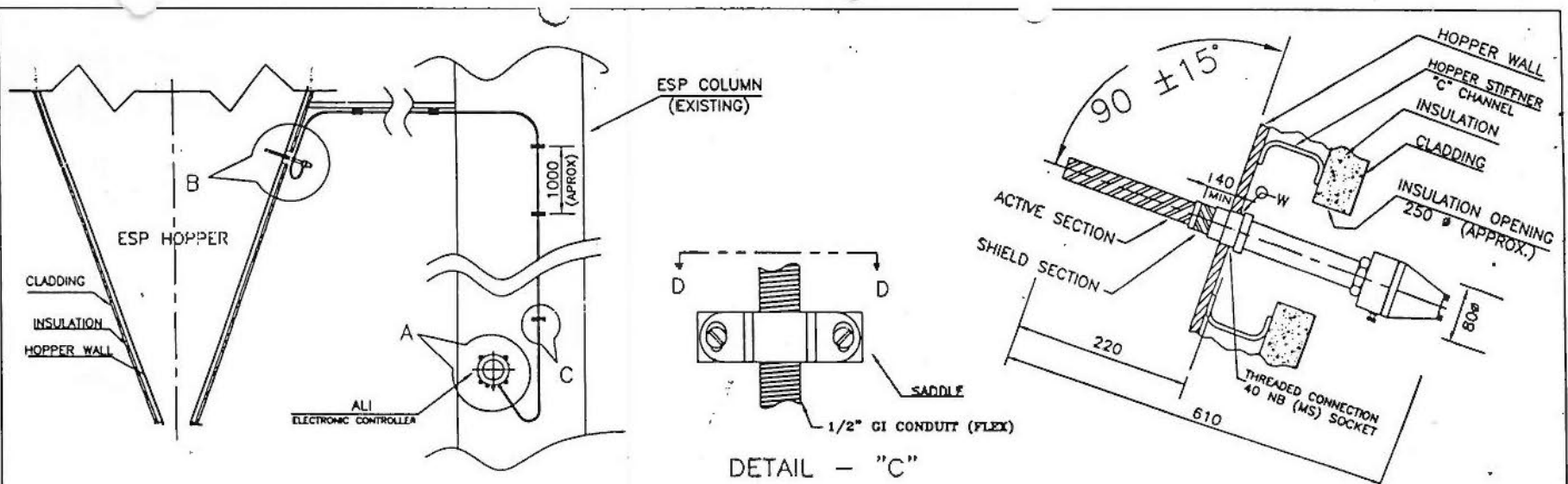


NOTES:-

1. ALL DIMENSIONS ARE IN MM $\pm 5\%$
2. ID (INNER DIA) & INNER DIMENSIONS OF ACTIVE SECTION, SHIELD SECTION & OTHER PARTS OF THE ASSEMBLED SENSING PROBE CAN NOT BE MEASURED
3. PROBE IS SUITABLE FOR CONTINUOUS OPERATION AT 250 DEG.C

IF ANY DOUBT ASK EIP ENVIRO

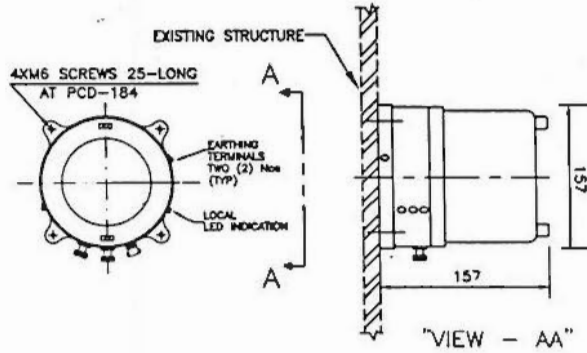
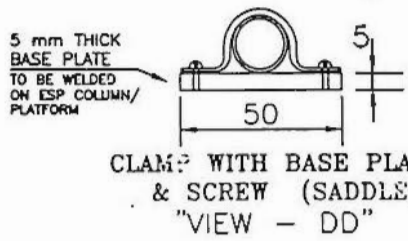
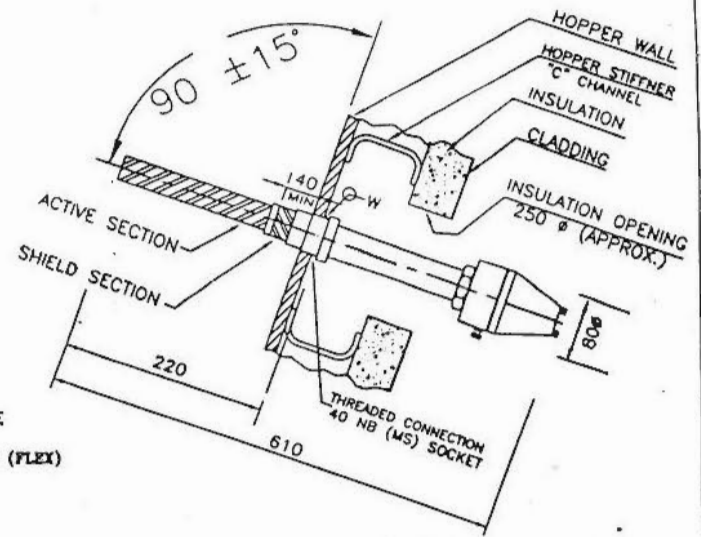
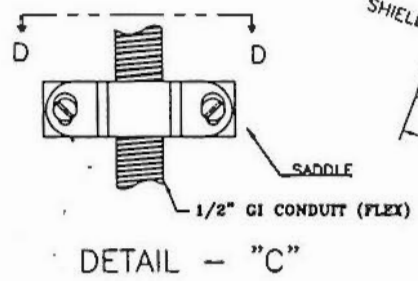
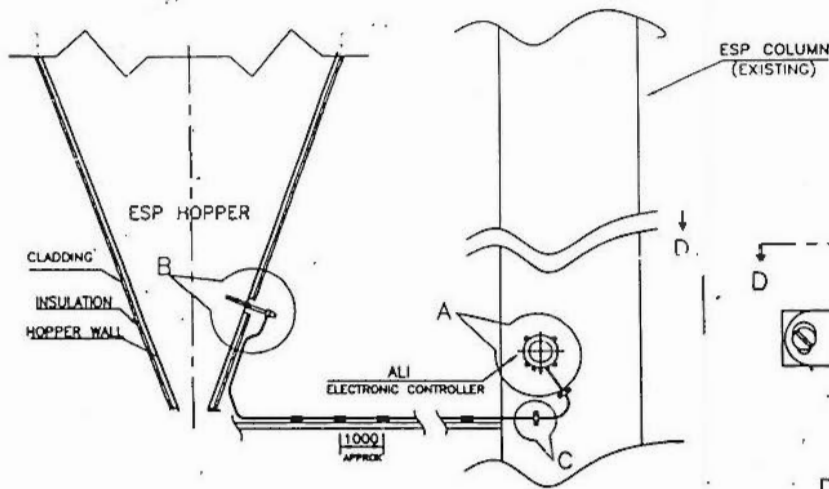
EIP ENVIRO LEVEL CONTROLS PVT LTD			
NOIDA - INDIA			
PO No.	: 4262780 DTD 18.12.2006		
PROJECT	: GIPCL - SLPP - 3 & 4		
CUSTOMER	B H E L - RANIPET		
TITLE-	GA & DIMENSION ASH LEVEL INDICATOR RF LEVEL SWITCH MODEL: 550 (LOW LEVEL)		
APPROVALS:	DRN	CHD	APD
	SCALE - NTS	DATE	DRG. NO. BH-GIP-01L SH 1 OF 1
			REV. 00



- NOTES:-
1. ALL DIMENSIONS ARE IN MM $\pm 5\%$
 2. DEGREE OF PROTECTION FOR PROBE HEAD & ELECTRONIC CONTROLLER ENCLOSURE AS PER IP-66.
 3. SENSING PROBE TO BE MOUNTED PERPENDICULAR ($90 \pm 15^\circ$) TO THE HOPPER WALL AND AT EQUAL DISTANCE FROM BOTH THE SIDE WALLS. ATLEAST 250 mm AWAY FROM OTHER INTERNAL GROUNDED PARTS
 4. SHIELD SECTION OF THE SENSING PROBE MUST PROJECT INSIDE THE HOPPER MORE THAN 40 MM
 5. CABLE DISTANCE FROM SENSING PROBE TO ELECTRONIC CONTROLLER 15 Mtr. MAX.
 6. UNSCREW THE "SOCKET" FROM THE PROBE. CUT A HOLE ON THE HOPPER PLATE AT THE DESIRED LOCATION OF THE SENSING PROBE. CUT-OUT SIZE-64 mm ϕ INSERT THE SOCKET MORE THAN THE THICKNESS OF THE HOPPER PLATE, ENSURE THE AXIS $90 \pm 15^\circ$ TO THE HOPPER PLATE AND WELD ALL AROUND. INSERT PROBE AND THREAD.

IF ANY DOUBT ASK EIP ENVIRO

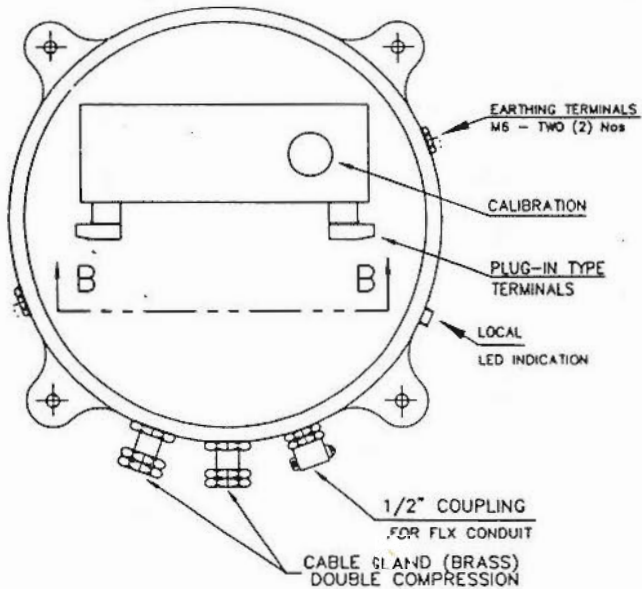
EIP ENVIRO LEVEL CONTROLS PVT LTD NOIDA - INDIA					
BHEL PO No. : 4262780 DTD 18.12.2006					
PROJECT : GIPCL - SLPP - 3 & 4					
CUSTOMER B H E L - RANIPET					
TITLE- INSTALLATION RF LEVEL SWITCH - WITH SENSING PROBE (RIGID) MODEL: 550 (HIGH LEVEL)					
APPROVALS:		DRN	CHD	APD	DRG. NO. BH-GIP-02
		SCALE - NTS	DATE		SH 1 OF 1
					REV. 00



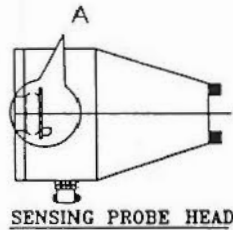
- NOTES:-
1. ALL DIMENSIONS ARE IN MM $\pm 5\%$
 2. DEGREE OF PROTECTION FOR PROBE HEAD & ELECTRONIC CONTROLLER ENCLOSURE AS PER IP-66.
 3. SENSING PROBE TO BE MOUNTED PERPENDICULAR ($90 \pm 15^\circ$) TO THE HOPPER WALL AND AT EQUAL DISTANCE FROM BOTH THE SIDE WALLS. ATLEAST 250 mm AWAY FROM OTHER INTERNAL GROUNDED PARTS
 4. SHIELD SECTION OF THE SENSING PROBE MUST PROJECT INSIDE THE HOPPER MORE THAN 40 MM
 5. CABLE DISTANCE FROM SENSING PROBE TO ELECTRONIC CONTROLLER 10 Mtr. MAX.
 6. UNSCREW THE "SOCKET" FROM THE PROBE. CUT A HOLE ON THE HOPPER PLATE AT THE DESIRED LOCATION OF THE SENSING PROBE. CUT-OUT SIZE-64 mm ϕ INSERT THE SOCKET MORE THAN THE THICKNESS OF THE HOPPER PLATE, ENSURE THE AXIS $90 \pm 15^\circ$ TO THE HOPPER PLATE AND WELD ALL AROUND. INSERT PROBE AND THREAD.

IF ANY DOUBT ASK EIP ENVIRO

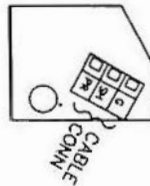
EIP ENVIRO LEVEL CONTROLS PVT LTD NOIDA - INDIA						
BHEL PO No. : 4262780 DTD 18.12.2006						
PROJECT : GIPCL-SLPP 3 & 4						
CUSTOMER B H E L - RANIPET						
TITLE- INSTALLATION RF LEVEL SWITCH. WITH SENSING PROBE (RIGID) MODEL: 550 (LOW LEVEL)						
APPROVALS:		DRN	CHD	APD	DRG. NO. BH-GIP-02L	REV. 00
		SCALE - NTS	DATE		SH 1 OF 1	



ELECTRONIC CONTROLLER



SENSING PROBE HEAD

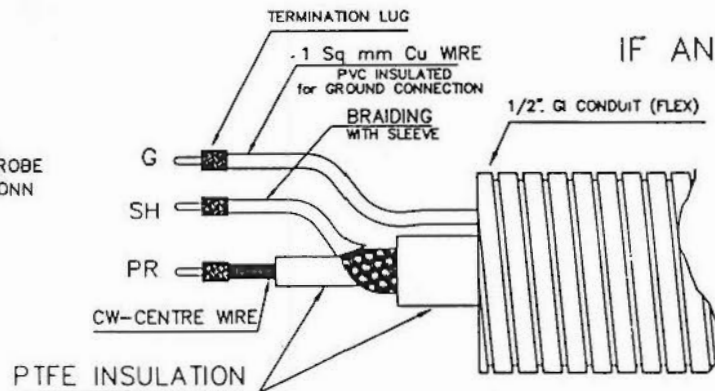
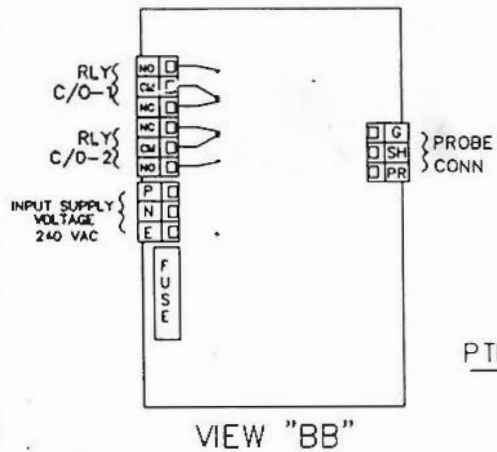


DETAIL "A"

NOTES:

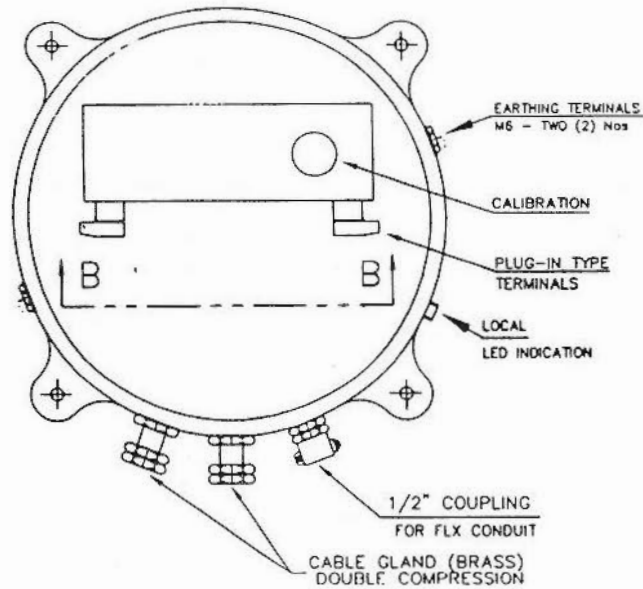
1. SIGNAL CABLE FOR THE CONNECTION OF ELECTRONIC CONTROLLER TO SENSING PROBE : PTFE COAXIAL CABLE, 1Sq mm Cu -PVC WIRE PASSED THROUGH GI FLEXIBLE CONDUIT
2. SIGNAL CABLE LENGTH SHALL NOT EXCEED 15M UNLESS PRE-CONFIRMED By EIP ENVIRO CONNECT CENTRE WIRE (CW) TO "PR" BRAIDING (MW) TO "SH" 1 Sq mm Cu PVC WIRE TO "G"
3. USE CABLE GLANDS, 1/2" COUPLING FOR FLEXIBLE CONDUIT & SLEEVE SUPPLIED By EIP ENVIRO
4. USE ATC LUGS TO SUIT 1.5 Sq mm CU CABLE (EXTERNAL) SUPPLIED By EIP ENVIRO
5. DO NOT PEEL BRAIDING MORE THAN 40mm (1.5")
6. SUPPLY VOLTAGE VARIATION $\pm 10\%$ (MAX)
7. PTFE COAXIAL CABLE SHALL BE SUPPLIED IN COILS THE FLEXIBLE GI CONDUIT SHALL BE SUPPLIED IN COILS OF 150 Mtr LENGTH OR PART THEREOF.
8. 15 Nos SADDLES SHALL BE SUPPLIED FOR EACH ALL FOR FIXING OF FLEXIBLE GI CONDUIT
9. MAKE OF TB SHALL BE WAGO/PHOENIX ONLY
10. TBs SHALL BE DETACHABLE/PLUG-IN TYPE.
11. 2 SPDT POTENTIAL FREE RELAY CHANGEOVER CONTACTS :

IF ANY DOUBT ASK EIP ENVIRO

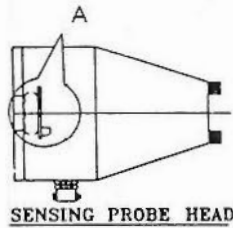


COAXIAL CABLE
FOR THE CONNECTION OF
SENSING PROBE TO ELECTRONIC CONTROLLER

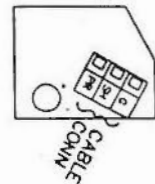
EIP ENVIRO LEVEL CONTROLS PVT LTD					
NOIDA - INDIA					
BHEL PO No. : 4262780 DTD 18.12.2006					
PROJECT : GIPCL-SLPP, 3 & 4					
CUSTOMER B H E L RANIPET					
TITLE- CONNECTION DETAILS RF ASH LEVEL INDICATOR MODEL - 550 (HIGH LEVEL)					
APPROVALS:		DRN	CHD	APD	DRG. NO. BH-GIP-03
		SCALE - NTS	DATE		REV. SH 1 OF 1 (00)



ELECTRONIC CONTROLLER



SENSING PROBE HEAD

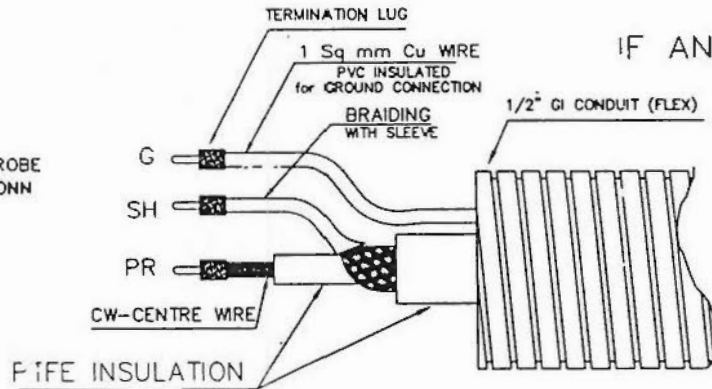
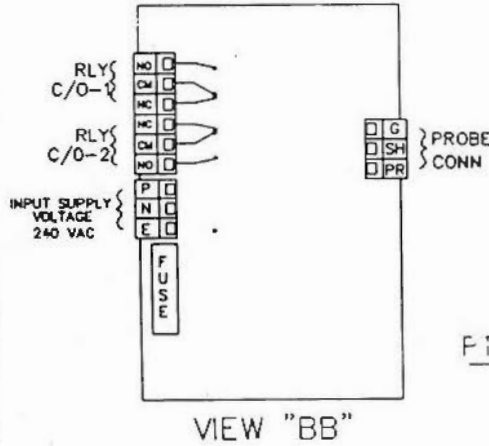


DETAIL "A"

NOTES:

- SIGNAL CABLE FOR THE CONNECTION OF ELECTRONIC CONTROLLER TO SENSING PROBE : PTFE COAXIAL CABLE, 1Sq mm Cu -PVC WIRE PASSED THROUGH GI FLEXIBLE CONDUIT
- SIGNAL CABLE LENGTH SHALL NOT EXCEED 15M UNLESS PRE-CONFIRMED By EIP ENVIRO CONNECT CENTRE WIRE (CW) TO "PR" BRAIDING (MW) TO "SH" 1 Sq mm Cu PVC WIRE TO "G"
- USE CABLE GLANDS, 1/2" COUPLING FOR FLEXIBLE CONDUIT & SLEEVE SUPPLIED By EIP ENVIRO
- USE ATC LUGS TO SUIT 1.5 Sq mm CU CABLE (EXTERNAL) SUPPLIED By EIP ENVIRO
- DO NOT PEEL BRAIDING MORE THAN 40mm (1.5")
- SUPPLY VOLTAGE VARIATION $\pm 10\%$ (MAX)
- PTFE COAXIAL CABLE SHALL BE SUPPLIED IN COILS THE FLEXIBLE GI CONDUIT SHALL BE SUPPLIED IN COILS OF 150 Mtr LENGTH OR PART THEREOF.
- 10 Nos SADDLES SHALL BE SUPPLIED FOR EACH AU FOR FIXING OF FLEXIBLE GI CONDUIT
- MAKE OF TB SHALL BE WAGO/PHOENIX ONLY
- TBs SHALL BE DETACHABLE/PLUG-IN TYPE.
- 2 SPDT POTENTIAL FREE RELAY CHANGEOVER CONTACTS :

IF ANY DOUBT ASK EIP ENVIRO

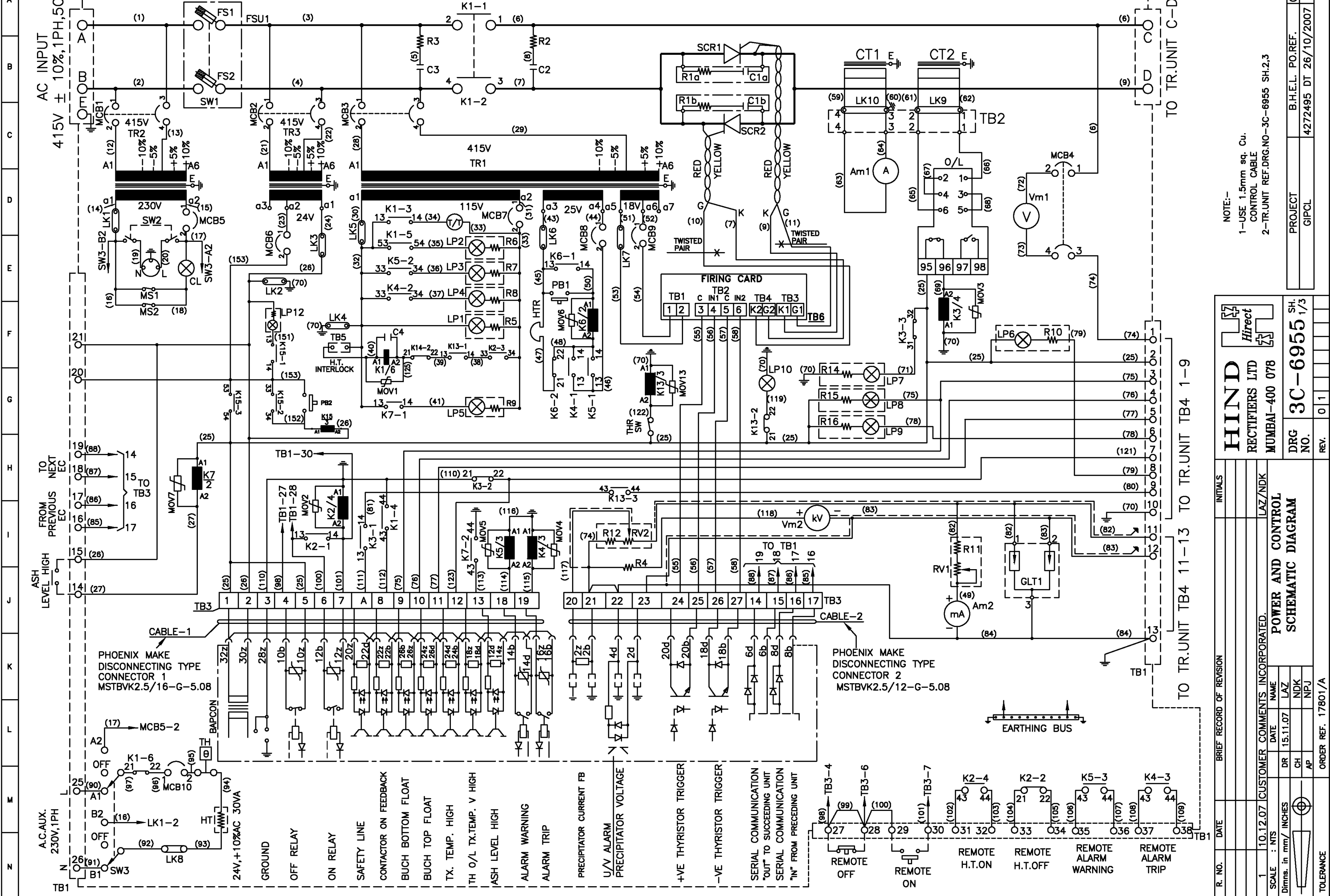


COAXIAL CABLE FOR THE CONNECTION OF SENSING PROBE TO ELECTRONIC CONTROLLER

EIP ENVIRO LEVEL CONTROLS PVT LTD						
NOIDA - INDIA						
BHCL PO No. : 4262780 DTD 18.12.2006						
PROJECT : GIPCL - SLPP, 3 & 4						
CUSTOMER B H E L RANIPET						
TITLE- CONNECTION DETAILS RF ASH LEVEL INDICATOR MODEL - 550 (LOW LEVEL)						
APPROVALS:		DRN	CHD	APD	DRG. NO. BH-GIP-03L	REV.
		SCALE - NTS	DATE		SH 1 OF 1	00

IF IN DOUBT, ASK

ELECTRONIC CONTROLLER (EC)



NOTE:-
 1-USE 1.5mm sq. Cu. CONTROL CABLE
 2-TR.UNIT REF.DRG.NO-3C-6955 SH.2,3

HIND
 RECTIFIERS LTD
 MUMBAI-400 078

DRG NO. **3C-6955** SH. 1/3

REV. 01

R. NO.	DATE	BRIEF RECORD OF REVISION	INITIALS
1	10.12.07	CUSTOMER COMMENTS INCORPORATED.	LAZ/NDK

SCALE : NTS
 Dimms. in mm/ INCHES

DR	LAZ	NDK
CH	NPJ	AP

ORDER REF. 17801/A

POWER AND CONTROL SCHEMATIC DIAGRAM

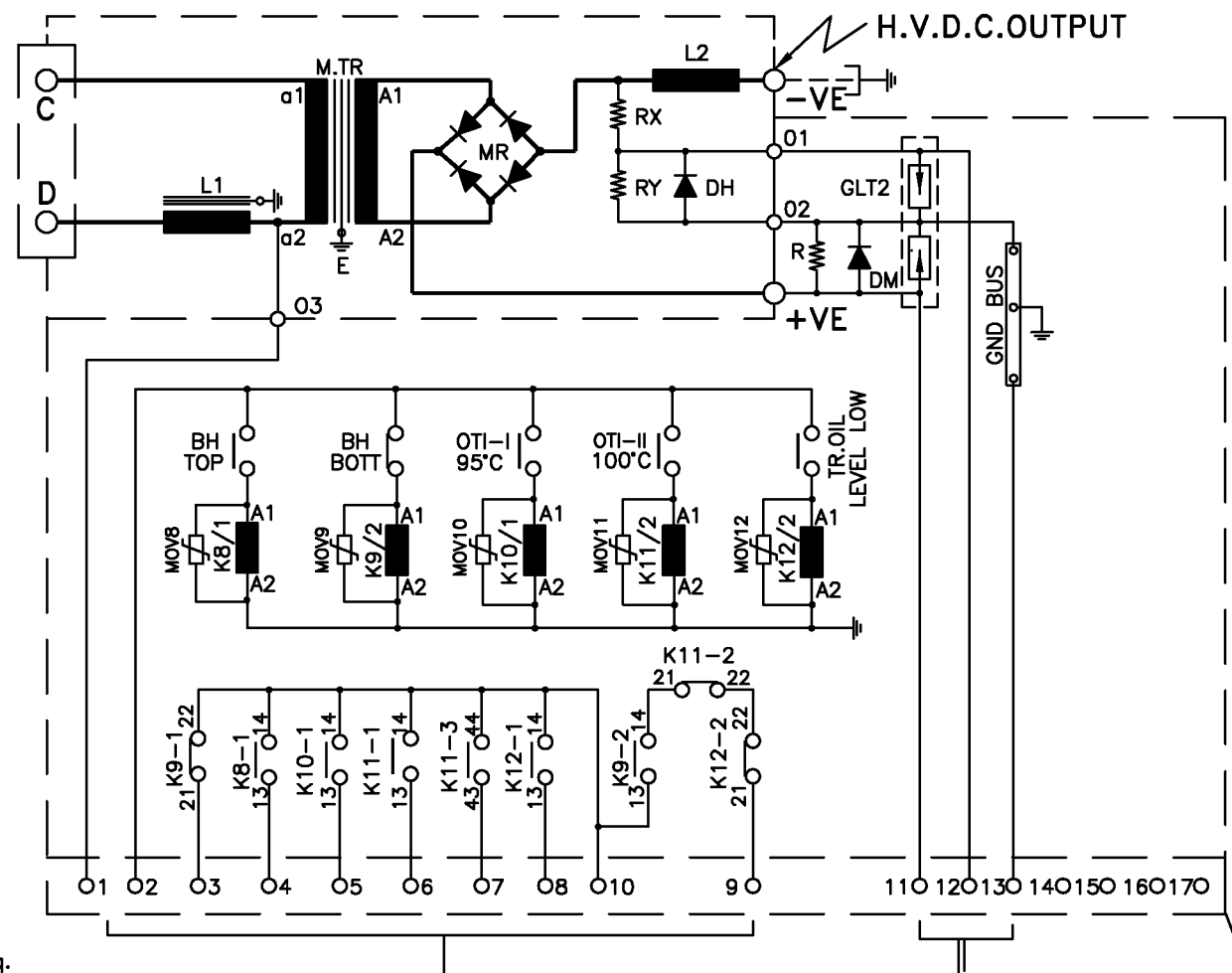
PROJECT	GIPCL
B.H.E.L. PO.REF.	4272495 DT 26/10/2007
QTY	28

(All information contained in this document is confidential & should not be used without prior consent of HIND RECTIFIERS LTD)

IF IN DOUBT, ASK

TRANSFORMER RECTIFIER UNIT (HVR)

FROM ELECTRONIC CONTROLLER



PB1 — ALARM ACCEPT

- K1 — MAIN CONTACTOR
- K2 — MAIN CONTACTOR ON/OFF/TRIP
- K3 — THERMAL OVERLOAD
- K4 — ALARM TRIP
- K5 — ALARM WARNING
- K6 — ALARM ACCEPT
- K7 — ASH LEVEL HIGH
- K8 — BH TOP FLOAT
- K9 — BH BOTTOM FLOAT
- K10 — OIL TEMP HIGH 95°C (OTI-I)
- K11 — OIL TEMP HIGH 100°C (OTI-II)
- K12 — TRANSFORMER OIL LEVEL LOW
- K13 — SCR TEMPERATURE HIGH

- LP1 — AC MAINS ON
- LP2 — H.T.ON
- LP3 — ALARM WARNING
- LP4 — ALARM TRIP
- LP5 — ASH LEVEL HIGH
- LP6 — TRANSFORMER OIL LEVEL LOW
- LP7 — THERMAL OVERLOAD
- LP8 — BUCHOLTZ BOTTOM FLOAT
- LP9 — OIL TEMP. VERY HIGH
- LP10 — SCR TEMP. HIGH

- SW1 — A.C. INPUT SWITCH FUSE UNIT
- SW2 — SOCKET ON/OFF SWITCH
- SW3 — HEATER ON/OFF/SELECTOR SWITCH
- THR — SCR THERMAL SWITCH

FROM ELECTRONIC CONTROLLER

10C-2.5mm sq.

FROM ELECTRONIC CONTROLLER

4C-1.5mm sq.

NOTE:- SHIELD SHALL BE EARTHED AT PANEL END ONLY.
MS1 AND MS2 ARE DOOR OPERATED MICRO SWITCH
NC WHEN DOOR IS OPEN
FOR REMOTE OFF REMOVE SHORTING OF
T27 AND T28 OF TB1

ELECTRONIC CONTROLLER REF.DRG.NO : 3C-6955 SH.1

PROJECT	B.H.E.L. PO.REF.	QTY
GIPCL	4272495 DT 26/10/2007	28

R. NO.	DATE	BRIEF RECORD OF REVISION	INITIALS
1	10.12.07	CUSTOMER COMMENTS INCORPORATED.	LAZ/NDK

SCALE : NTS	DATE	NAME	POWER AND CONTROL SCHEMATIC DIAGRAM
Dimns. in mm/ INCHES	DR 15.11.07	LAZ	
	CH	NDK	
	AP	NPJ	
TOLERANCE	ORDER REF. 17801/A		

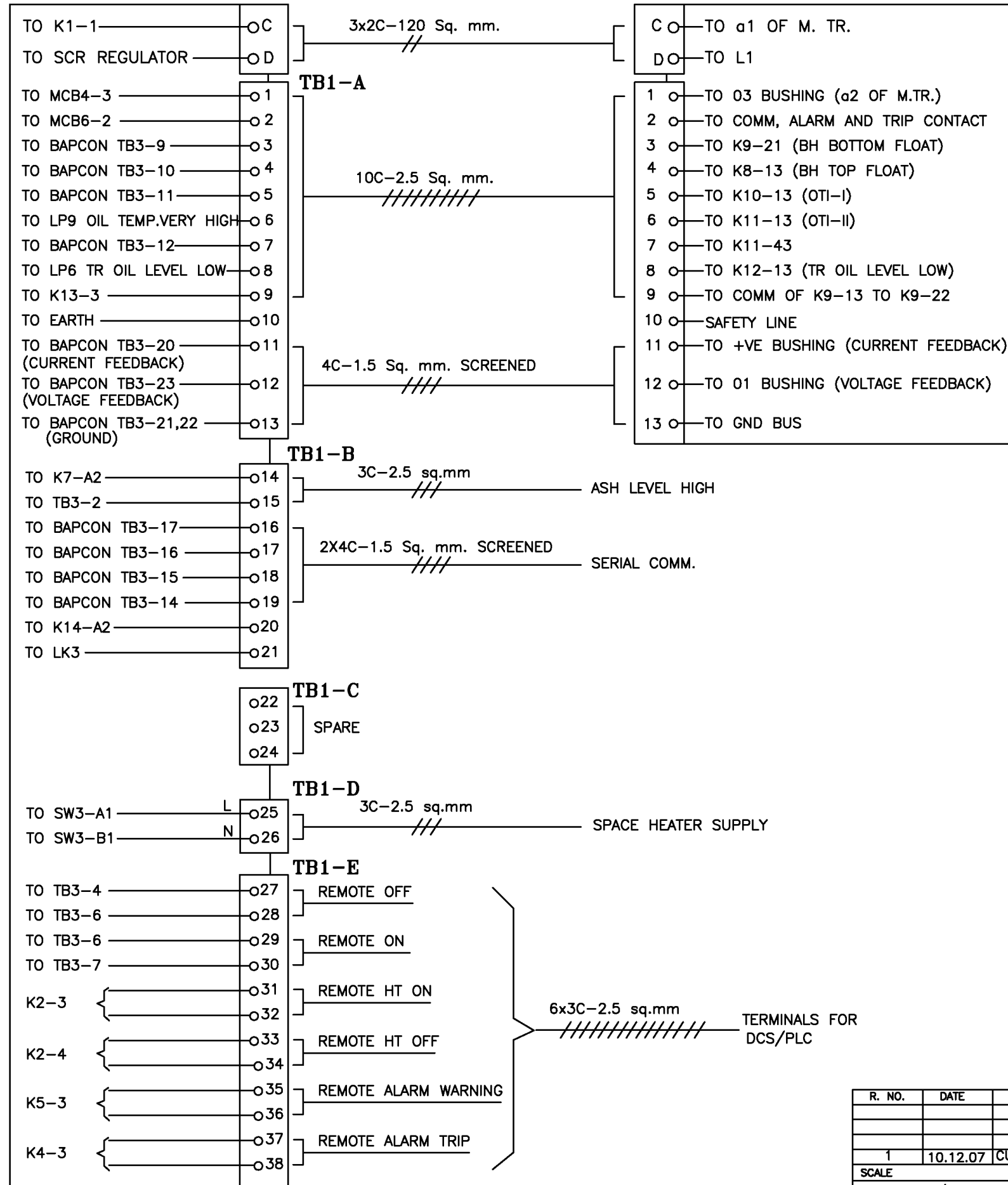
HIND		
RECTIFIERS LTD		
MUMBAI-400 078		
DRG NO.	3C-6955	SH. 2/3
REV.	01	

(All information contained in this document is confidential & should not be used without prior consent of HIND RECTIFIERS LTD)

IF IN DOUBT, ASK

ELECTRONIC CONTROLLER

H.V. RECTIFIER



PROJECT	B.H.E.L. PO.REF.	QTY
GIPCL	4272495 DT 26/10/2007	28

R. NO.	DATE	BRIEF RECORD OF REVISION	INITIALS
1	10.12.07	CUSTOMER COMMENTS INCORPORATED.	LAZ/NDK

SCALE	DATE	NAME	POWER AND CONTROL SCHEMATIC DIAGRAM
Dimns. in mm/ INCHES	DR 15.11.07	JPG	
	CH	NDK	
	AP	NPJ	
TOLERANCE	ORDER REF. 17801/A	REV.	01

HIND RECTIFIERS LTD		
MUMBAI-400 078		
DRG NO.	3C-6955 ^{SH.} _{3/3}	

All information contained in this document is confidential & should not be used without prior consent of HIND RECTIFIERS LTD